

# ONKYO

# A8290

---

MODEL

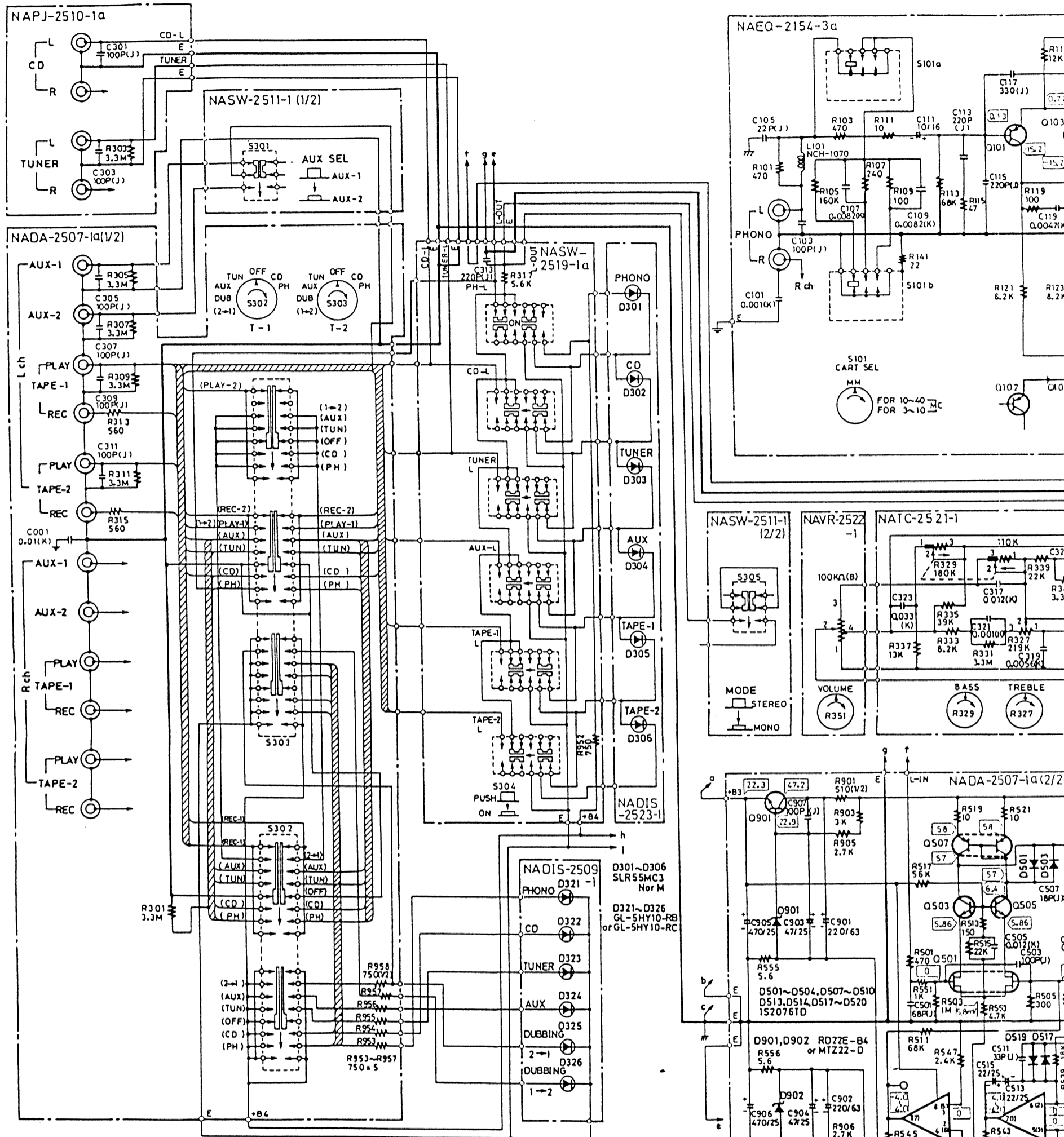
---

SERVICE MANUAL

[www.manualscenter.com](http://www.manualscenter.com)

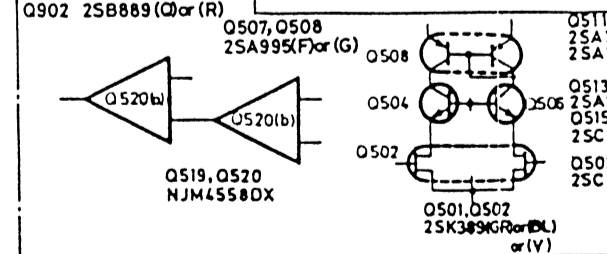
---

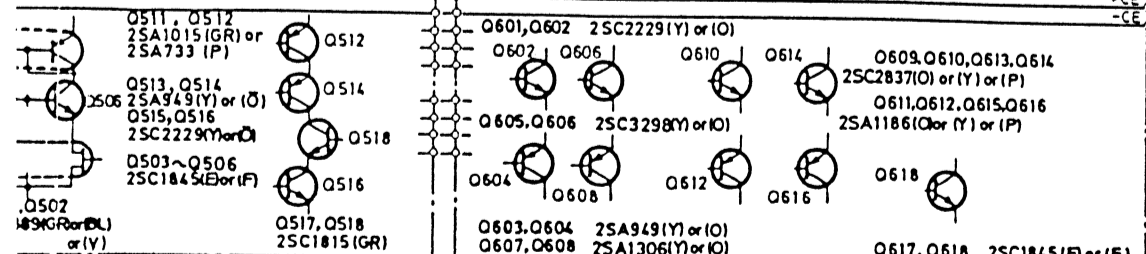
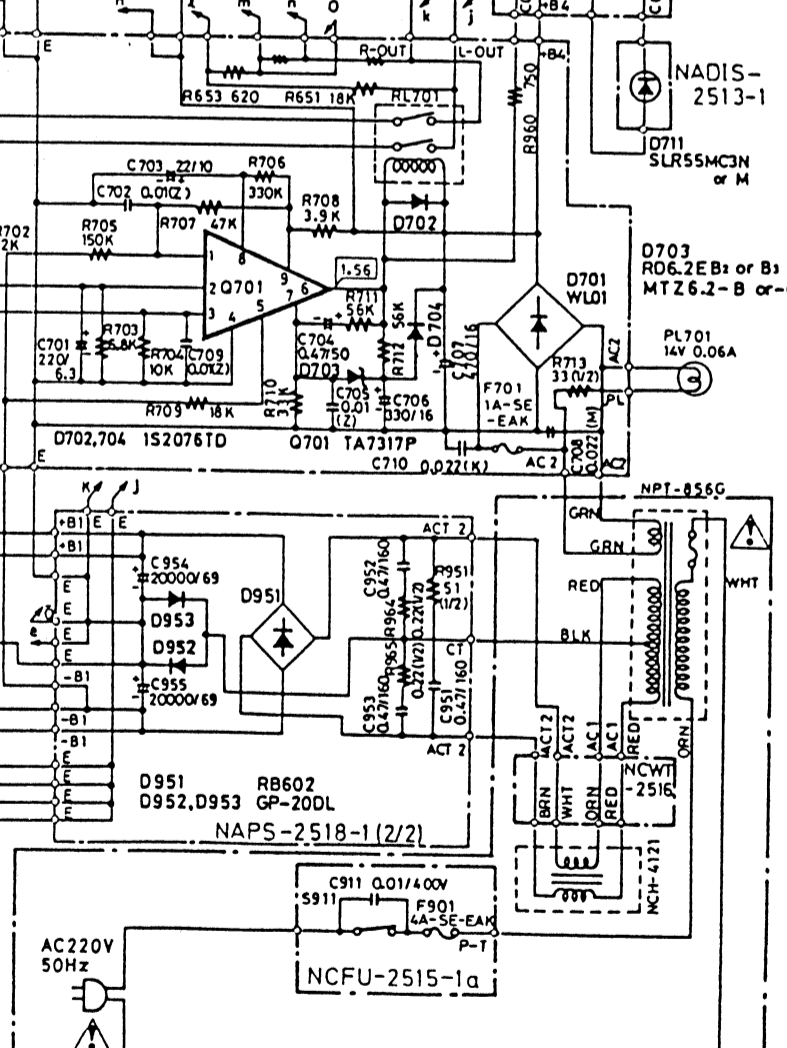
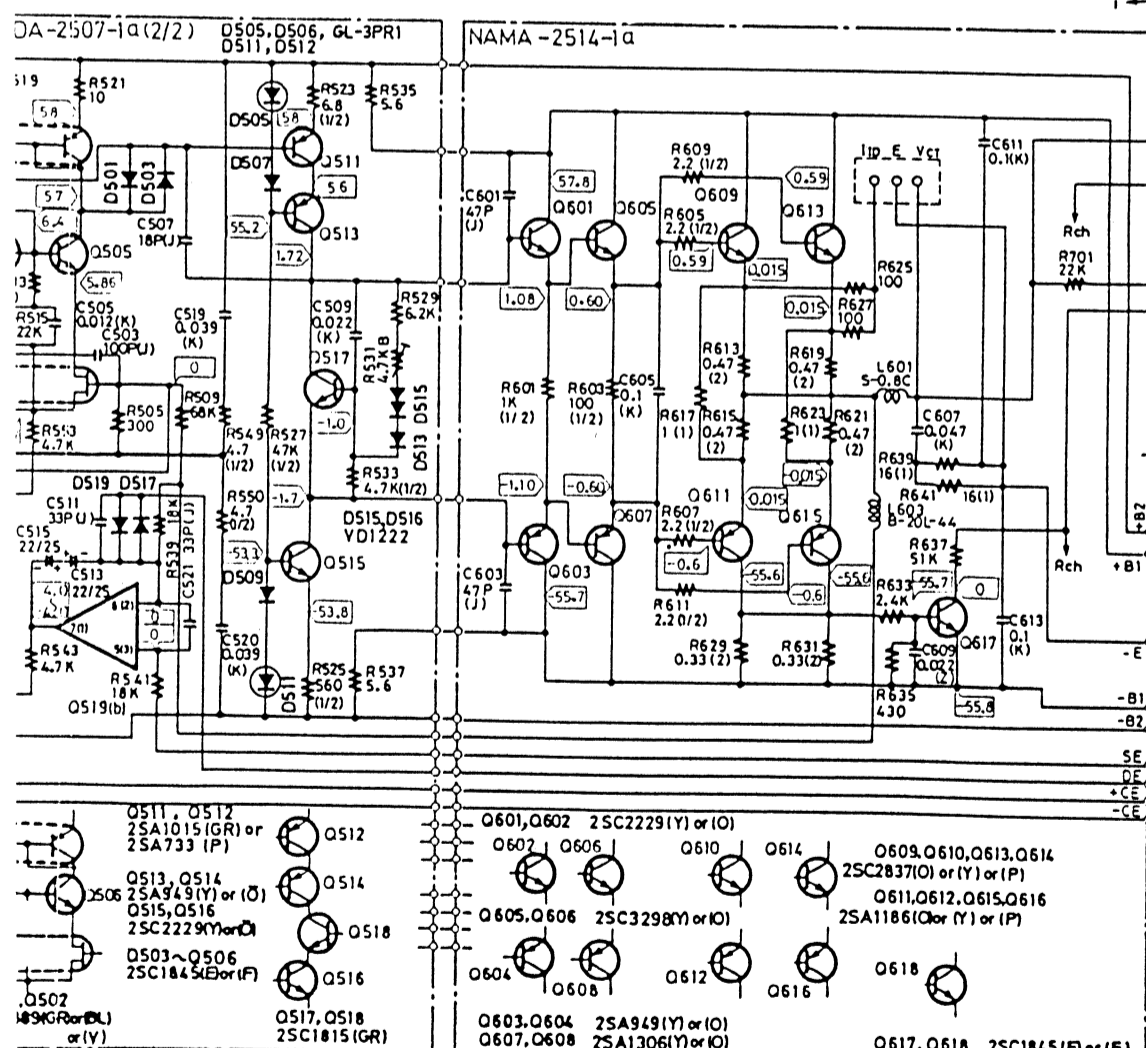
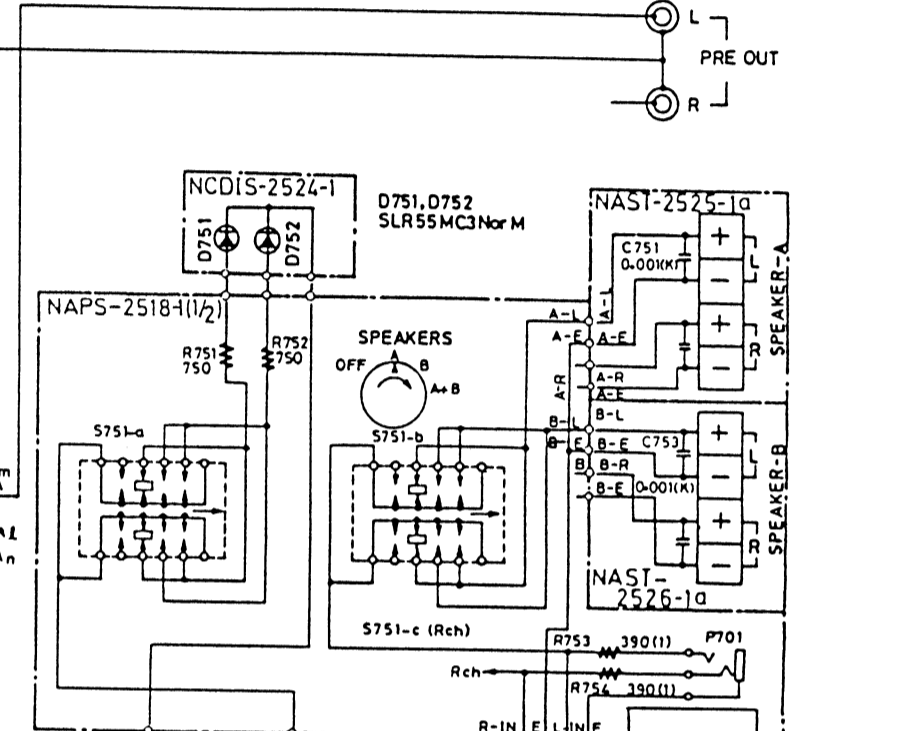
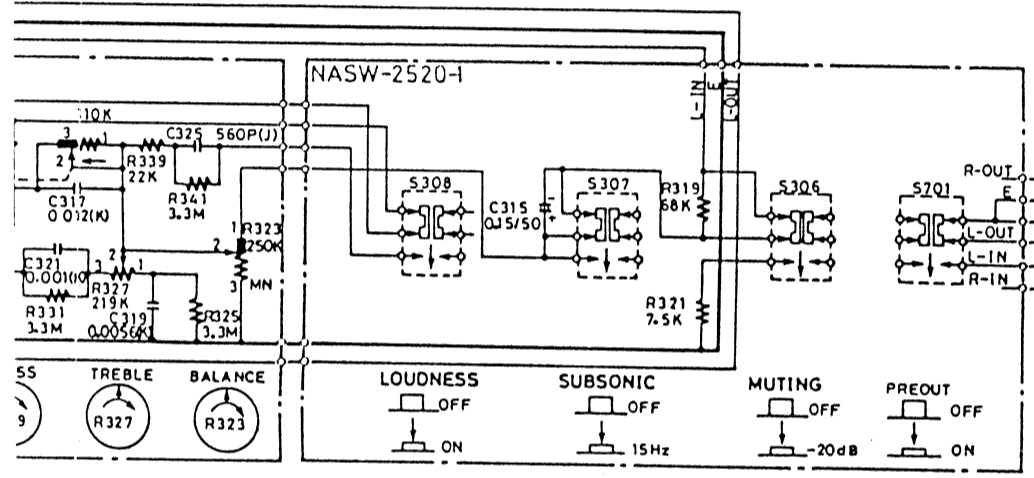
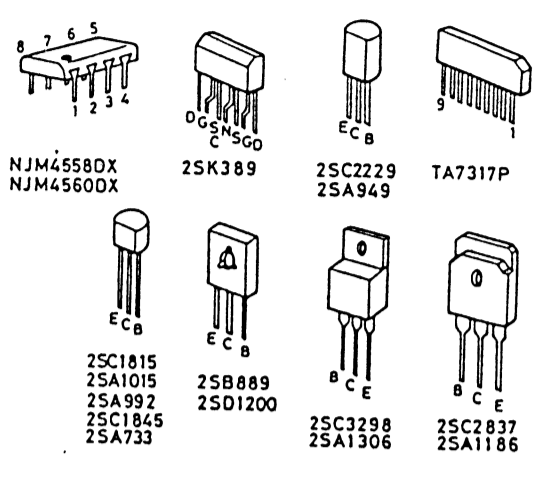
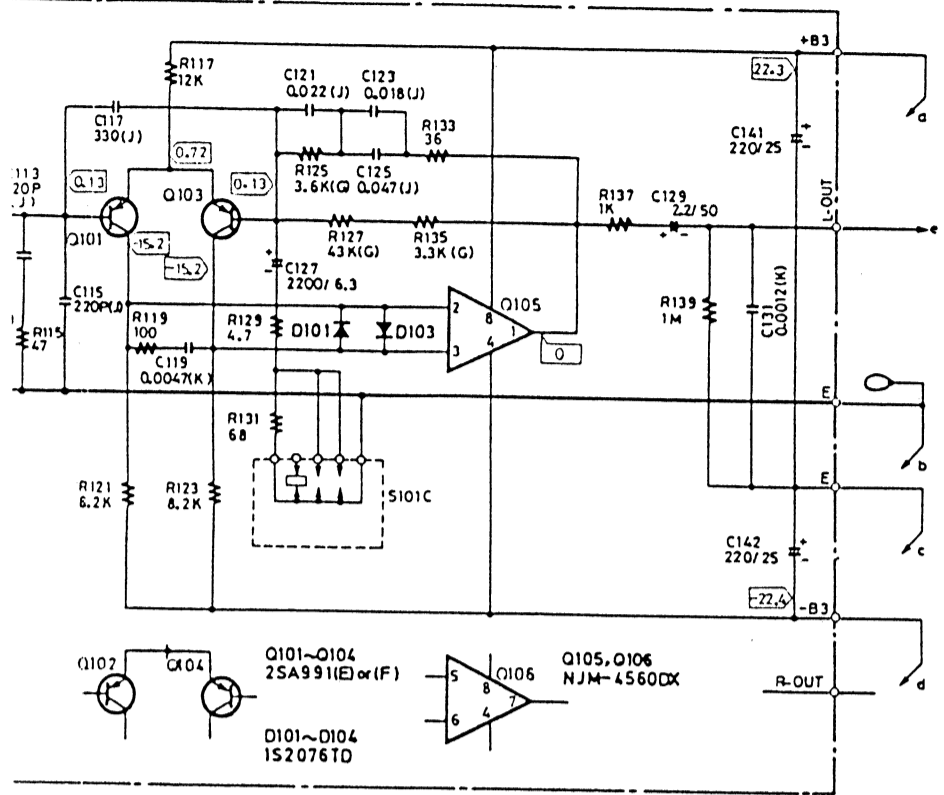
# SCHEMATIC DIAGRAM (220V Model)



- NOTES:**
- ALL RESISTORS ARE IN OHMS, 1/4 WATT UNLESS OTHERWISE NOTED.
  - ALL CAPACITORS ARE IN  $\mu$ F, 50V UNLESS OTHERWISE NOTED.
  - ELECTROLYTIC CAPACITORS (E) ARE IN  $\mu$ F/WV.
  - VOLTAGE (MEASURED WITH V.T.V.M.) (NO INPUT SIGNAL).
  - CIRCUIT IS SUBJECT TO CHANGE FOR IMPROVEMENT.
  - THE COMPONENTS IDENTIFIED BY MARK  $\Delta$  ARE CRITICAL FOR SAFETY. REPLACE ONLY WITH PART NUMBER SPECIFIED.

C	D	G	J	K	M	Z
$\pm 0.25\%$	$\pm 0.5\%$	$\pm 2\%$	$\pm 5\%$	$\pm 10\%$	$\pm 20\%$	$+80\%$ $-20\%$

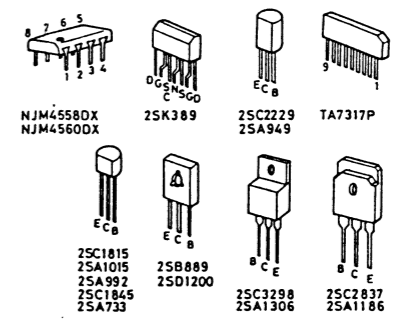
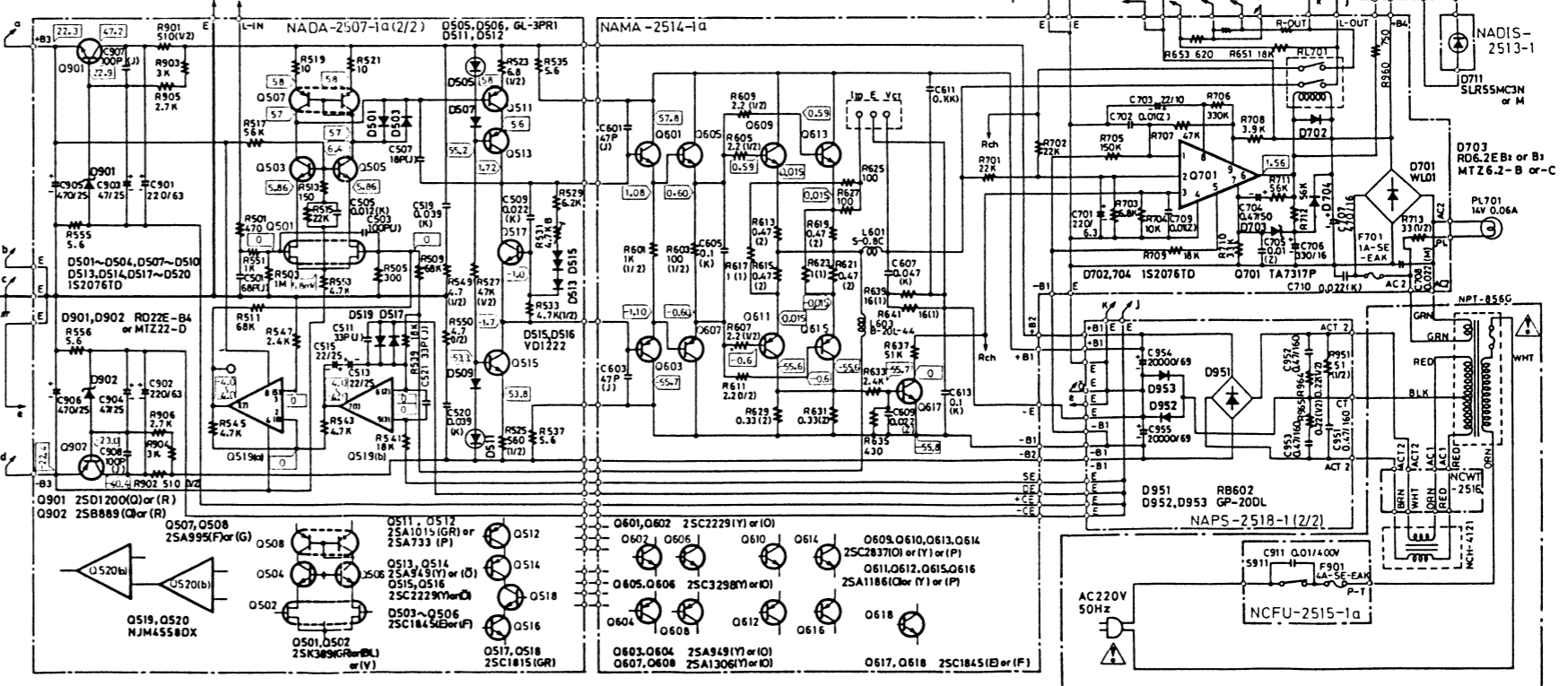
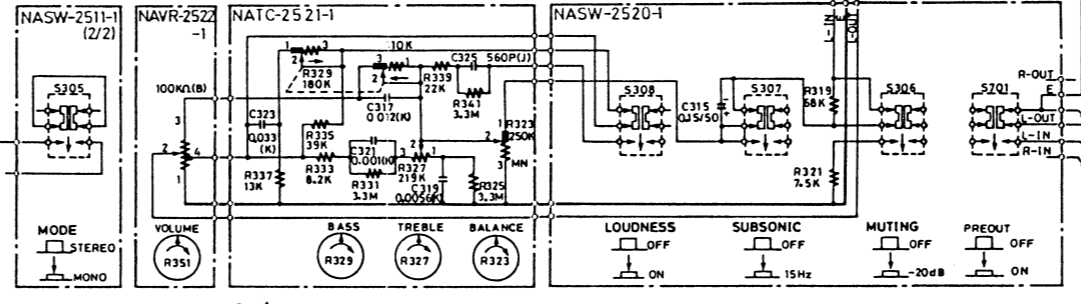
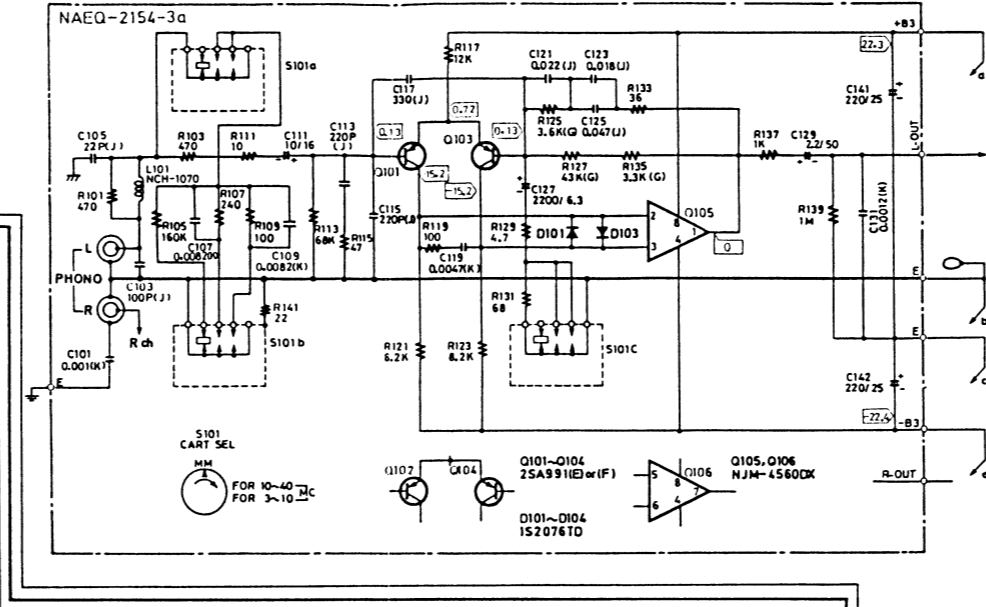
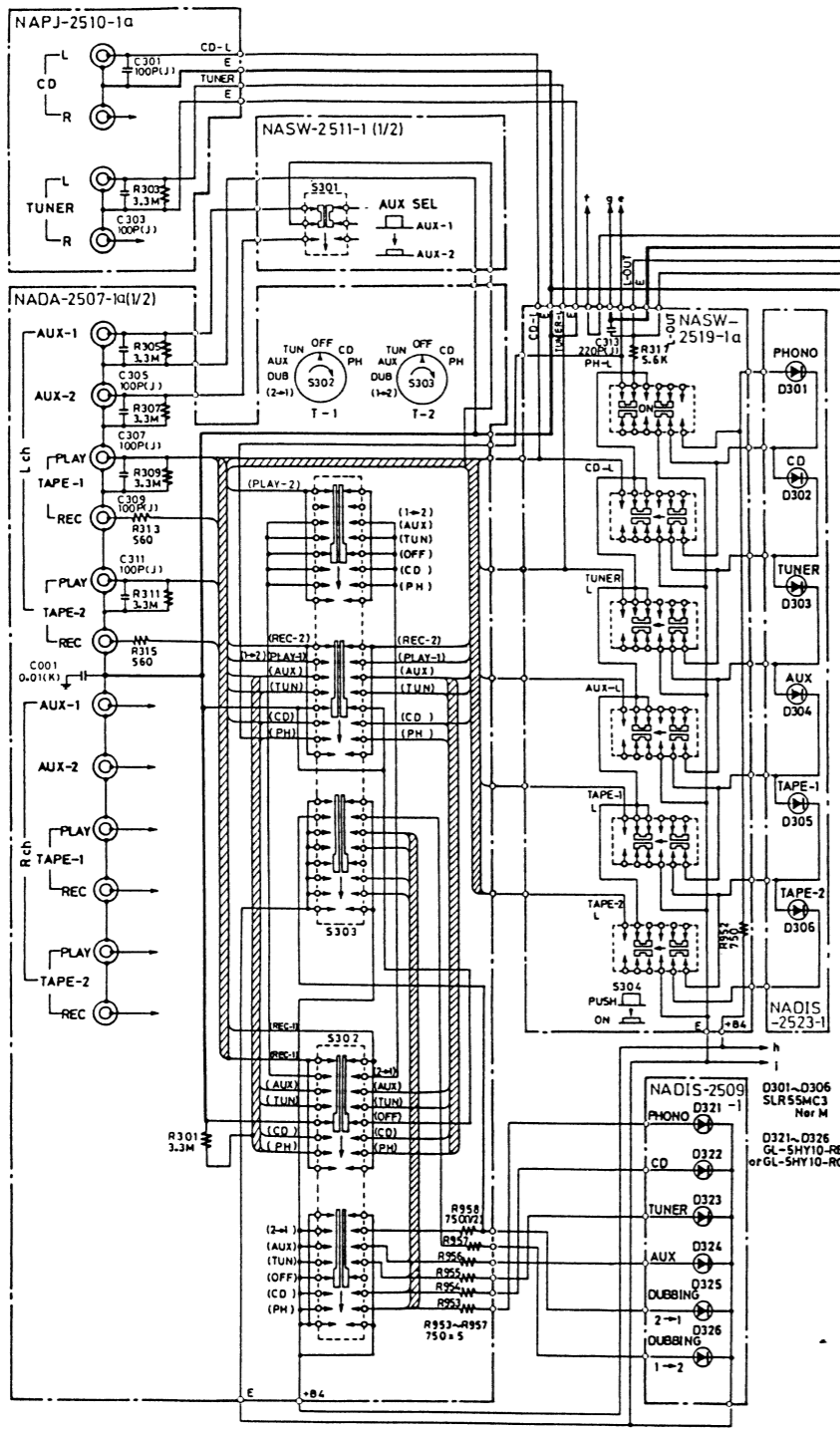




ONKYO CORPORATION

# SCHEMATIC DIAGRAM (220V Model)

1  
2  
3  
4  
5



NOTES:  
 \*ALL RESISTORS ARE IN OHMS, 1/4 WATT UNLESS OTHERWISE NOTED.  
 \*ALL CAPACITORS ARE IN μF. 50VW UNLESS OTHERWISE NOTED.  
 \*ELECTROLYTIC CAPACITORS (E) ARE IN μF/WV.  
 \*VOLTAGE (MEASURED WITH V.T.Y.M.) (NO INPUT SIGNAL).  
 \*CIRCUIT IS SUBJECT TO CHANGE FOR IMPROVEMENT.  
 \*THE COMPONENTS IDENTIFIED BY MARK Δ ARE CRITICAL FOR SAFETY. REPLACE ONLY WITH PART NUMBER SPECIFIED.

C	D	G	J	K	M	Z
±0.25PF	±0.5PF	±2%	±5%	±10%	±20	±80%