



Ti2000

SPECIFICATIONS

ACOUSTIC & ELECTRICAL SPECIFICATIONS:

- * Nominal Impedance: 4 ohm
- * Recommended Amp Power: 50-200W
- * Frequency Response: 50 Hz - 30 kHz (-6dB)
- * Sensitivity: 89 dB / 2,83V / 1 m
- * Crossover frequency: 300 Hz and 3 kHz

SYSTEM COMPONENTS:

- * Cabinet: CTI2000 (Not for sale)
- * Grille: GTI2000 (240517)
- * Woofer: 708G 210mm Woofer
50mm voice coil
- DC Resistance: 4,1 ohm
- * Midrange: 705G 130mm Midrange
30mm voice coil

SYSTEM COMPONENTS: (cont'd)

- DC Resistance: 4,4 ohm
- * Tweeter: 050TI 25mm
Titanium Dome Tweeter
- DC Resistance: 3,8 ohm
- * Crossover Network: NTI2000 (270514)

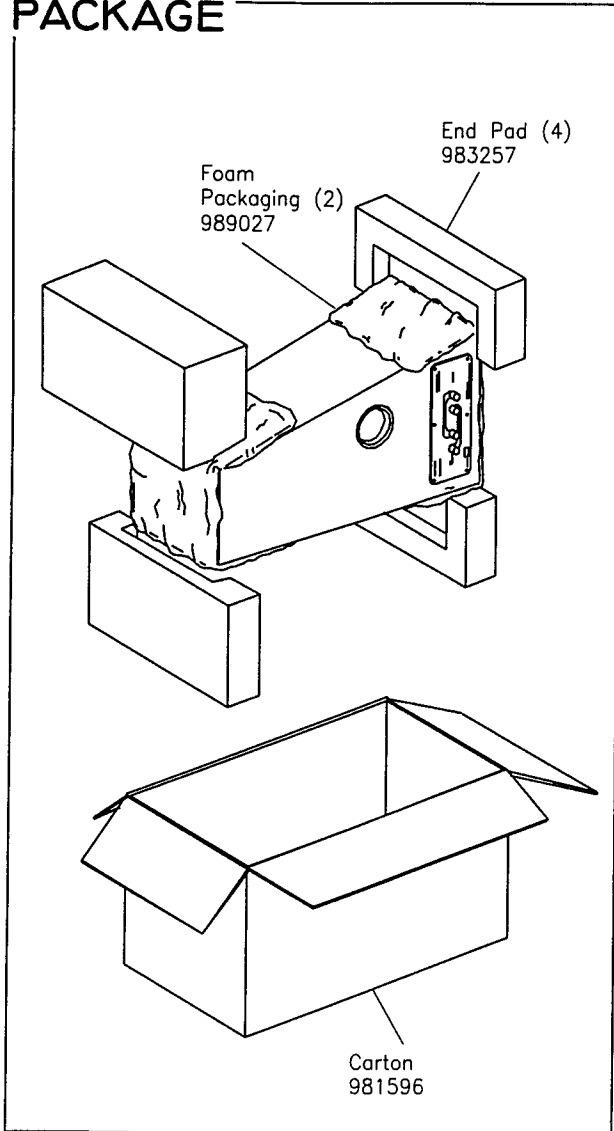
PHYSICAL SPECIFICATIONS:

- * Enclosure Dimensions (H.W.D): 24-3/8x13x12 In. D
(620x332x305mm D)
- * Shipping Weight: 48 lbs. (22 kg.)

WARRANTY INFORMATION:

- * Refer to the Warranty Statement packed with each product

PACKAGE

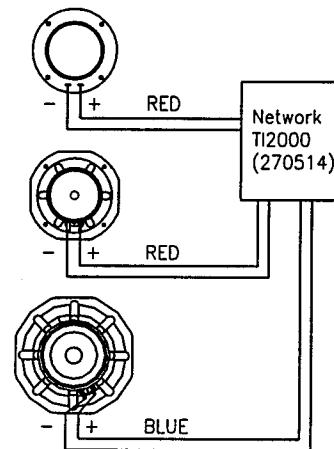


WIRING DIAGRAM

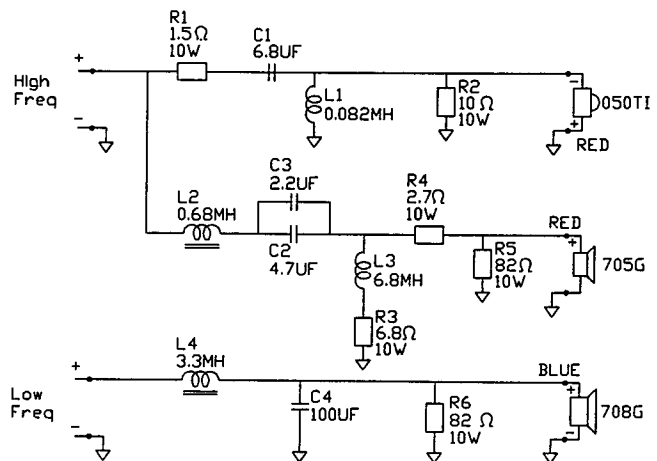
Tweeter
050TI
(971700)

Midrange
705G
(971703)

Woofer
708G
(971709)



SCHEMATIC TI2000



NOTE: CONE/DIAPHRAGM KIT NOT AVAILABLE.
DEFECTIVE DRIVER SHOULD BE REPLACED.

Ti2000

Ti2000

COMPONENT EXPLODED VIEW

