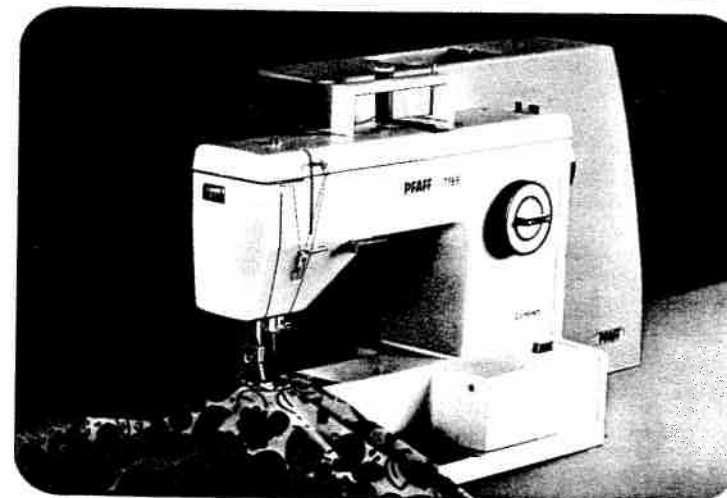
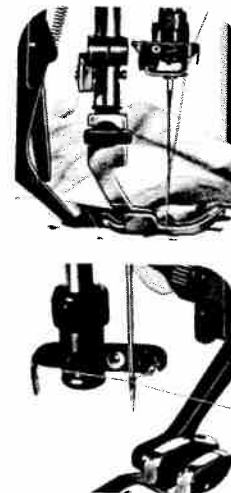
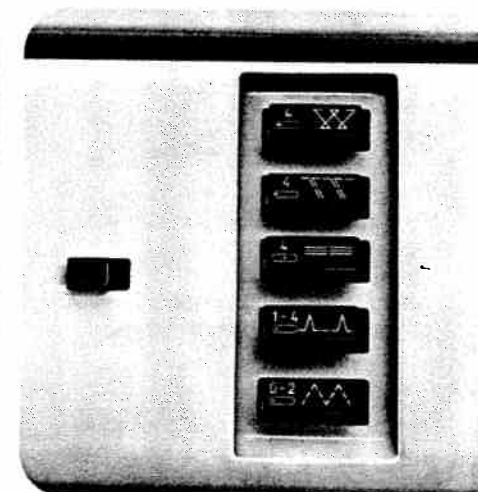
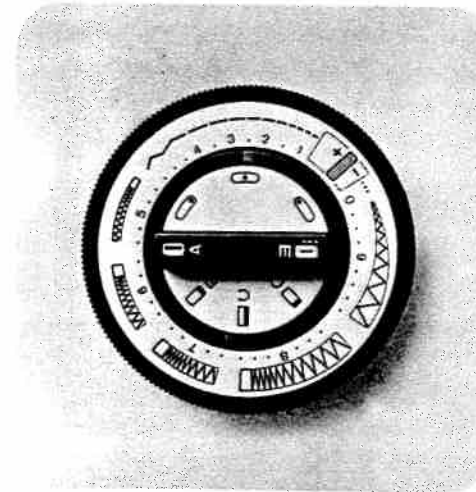


**PFAFF**®

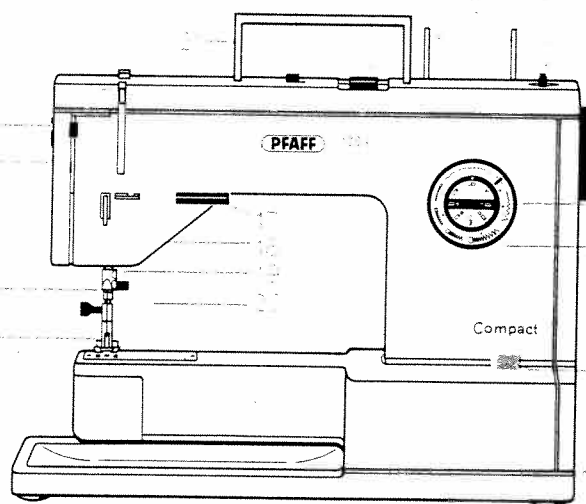
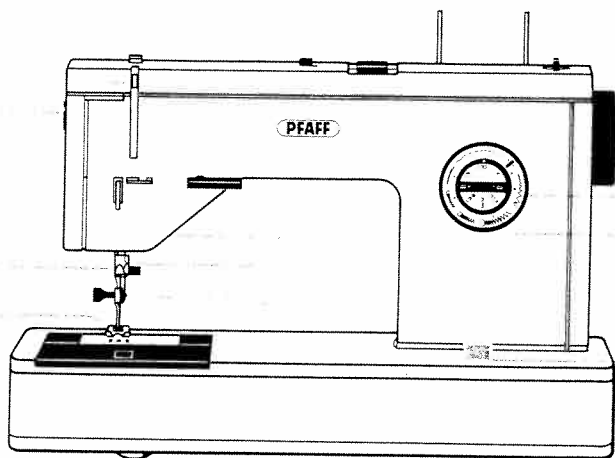
1196, 1197  
1199 Compact  
1209 Compac  
Instruction  
Book



PFAFF-HANDELSGESELLSCHAFT  
für Haushaltsnämaschinen m.b.H.  
7500 Karlsruhe 41 · West-Germany

Subject to alterations in design  
Nr. 21992 Wi 0279 engl.

## Parts of your sewing machine



- 1 Take-up lever
- 2 Thread retainer stud
- 3 Eraser button
- 4 Utility-stitch buttons
- 5 Spool pins
- 6 Bobbin winder
- 7 Balance wheel
- 8 Stop motion knob
- 9 Ultra-Matic stitch selector
- 10 Needle position and buttonhole control
- 11 Master switch
- 12 Base (of portable machines)
- 13 Bed cover
- 14 Sewing foot
- 15 Thread cutter (on presser bar)  
On Model 1209 dual feed with thread cutter
- 16 Upper tension
- 17 Control for reverse sewing and dropping the feed dog
- 18 Presser bar lifter (on back of machine arm)
- 19 Needle holder with needle set screw
- 20 Needle plate with guide grooves
- 21 Handle on Models 1199/1209
- 22 Accessories drawer on Models 1199/1209
- 23 Free arm
- 24 Free arm cover (enclosing sewing hook)
- 25 Needle thread control

## Some safety rules

a) Be careful when sewing that your fingers will not be injured by the needle.

b) Make sure you pull out the power cord plug whenever you want to change needle, sewing foot, bobbin or needle plate, when you clean and oil the machine, or when you have to interrupt sewing and leave the machine for a while.

## IMPORTANT!

### Valid for United Kingdom only!

The wires in this mains lead are coloured in accordance with the following code: Blue: Neutral: Brown: Live.

As the colours of the wires in the mains lead of this appliance may not correspond with the coloured markings identifying the terminals in your plug, proceed as follows:

The wire which is coloured blue must be connected to the terminal which is marked with the letter N or coloured black.

The wire which is coloured brown must be connected to the terminal which is marked with the letter L or coloured red.

### Please note:

When 13 amperes plug is used a 3 amperes fuse has to be fitted.

**Contents**

Removing the carrying case cover, 1196/1197 . . . . .	1
Foot control receptacle, 1196/1197 . . . . .	1
Removing the carrying case cover, 1199/1209 . . . . .	2
Foot control receptacle, 1199/1209 . . . . .	2
Handle, 1199/1209 . . . . .	2
Accessories drawer, 1199/1209 . . . . .	3
Electrical connection . . . . .	4
Foot control . . . . .	4
Removing bobbin case and bobbin . . . . .	5
Disengaging the sewing mechanism . . . . .	5
Bobbin winding . . . . .	6
Inserting the bobbin . . . . .	6
Inserting the bobbin case . . . . .	7
Upper threading . . . . .	7
Threading the needle 1196-1199 . . . . .	8
Drawing up the bobbin thread . . . . .	8
Attaching the work support . . . . .	9
Thread cutter . . . . .	10
Ultra-Matic stitch selector (9) . . . . .	11
Straight stitch . . . . .	11
Zigzag stitch . . . . .	11
Needle position . . . . .	12
Reverse sewing and dropping the feed dog . . . . .	12
Presser bar lifter . . . . .	13
Dual feed, 1209 . . . . .	13
Thread tensions . . . . .	14
<b>Changing the needle</b> . . . . .	15
Changing the sewing foot . . . . .	15
Utility stitches . . . . .	16
Utility-stitch combinations . . . . .	17
Sewing buttonholes . . . . .	18
Sewing feet . . . . .	20
Special accessories . . . . .	21
Changing the light bulb . . . . .	22
Cleaning and oiling . . . . .	22
Threading the needle 1209 . . . . .	23
Trouble shooting . . . . .	24

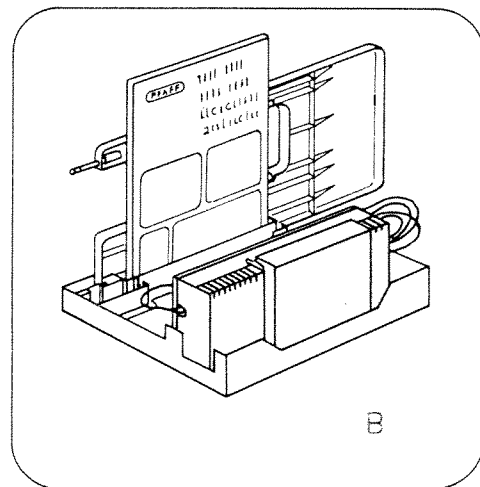
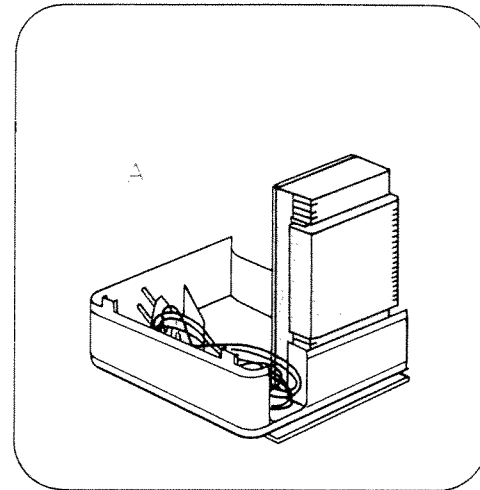
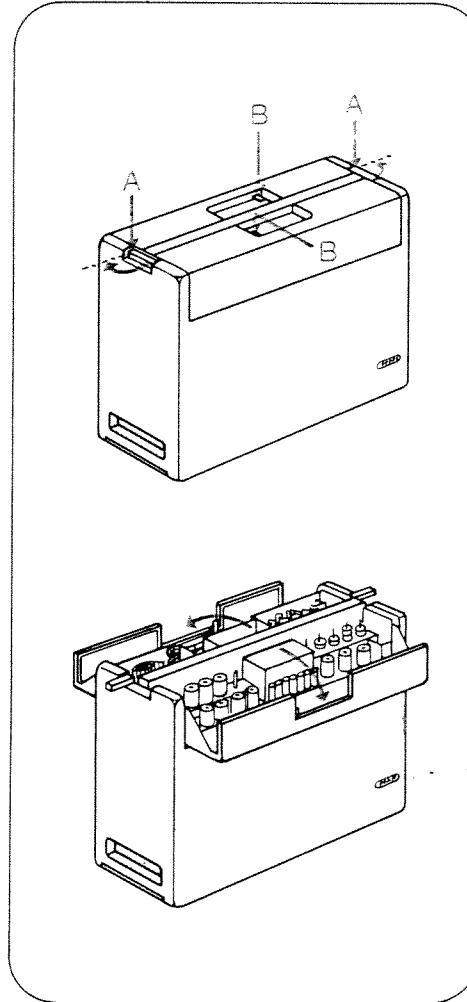
**Model 1196/1197**

Press down catches A (marked by arrows) and swing them outwards. Then lift the cover off.

To replace the cover, reverse this sequence. To open the sewing box lift catches B. Then open the top cover sections.

**Models 1196 (A), 1197 (B)**

Remove this receptacle from the machine. Before you put the machine away after sewing, replace the receptacle in its original position. On model 1196 place it on the bedplate, on model 1197 push it into the free arm.



**Removing the carrying case cover,  
Model 1199/1209**

On the Compact models the carrying case cover is not locked in position by catches and can thus be easily lifted off.

**Foot control receptacle**

Models 1199/1209

Remove the receptacle from the machine. Before you put the machine away after sewing, replace the receptacle in its original position (A), and push it onto the free arm.

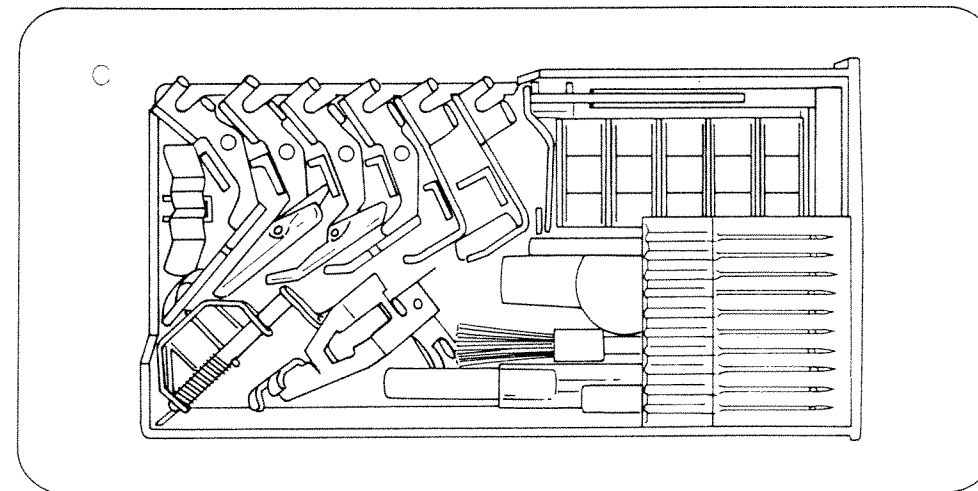
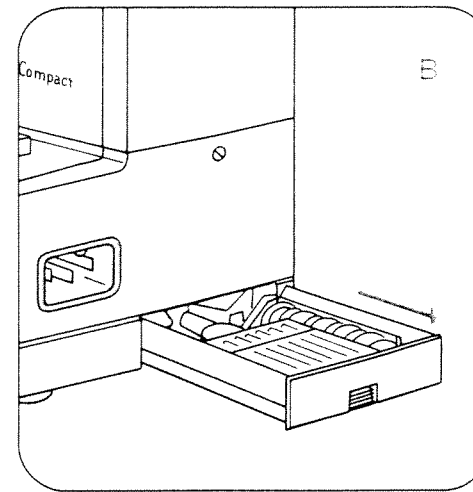
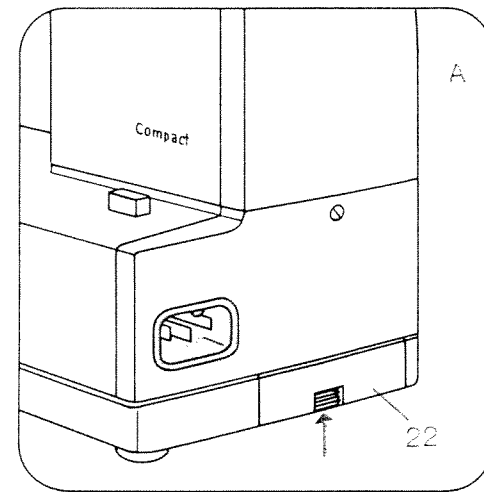
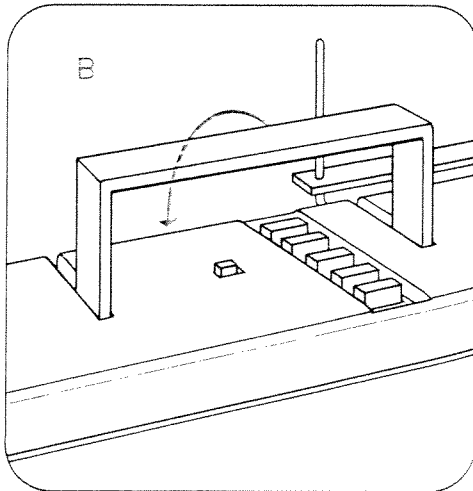
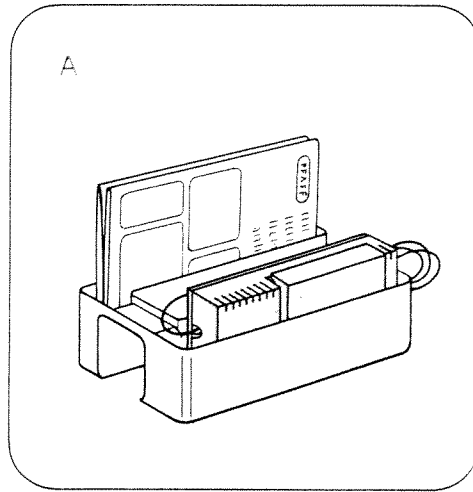
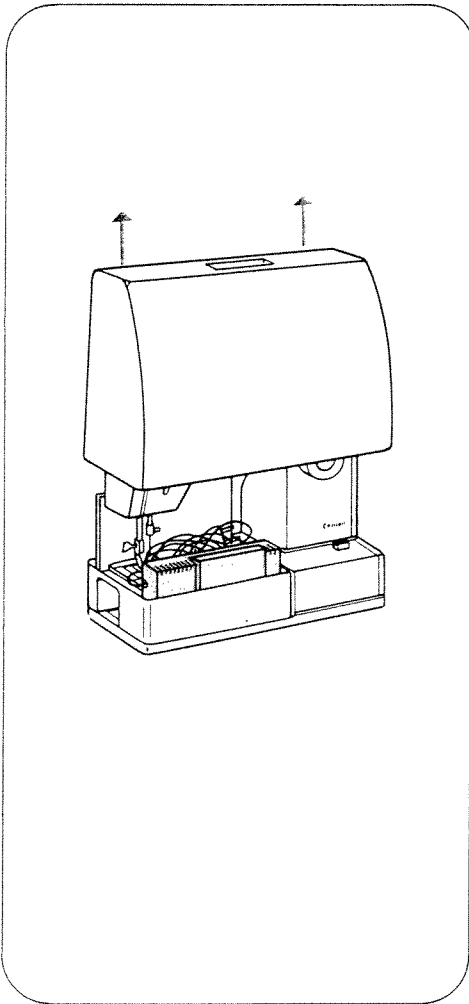
**Handle, Model 1199/1209**

The handle can be folded down, as shown by the arrow in ill. B.

**Accessories drawer, Model 1199/1209**

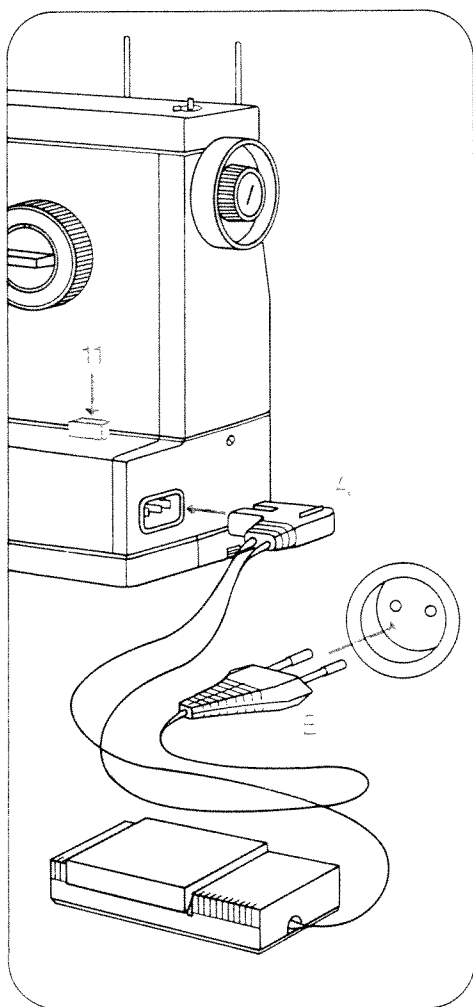
On the Compact models the accessories are kept in a drawer. Push the catch upwards a little (A) and at the same time pull drawer 22 out of the machine (B).

Jll.C shows how the accessories are to be placed in the drawer.



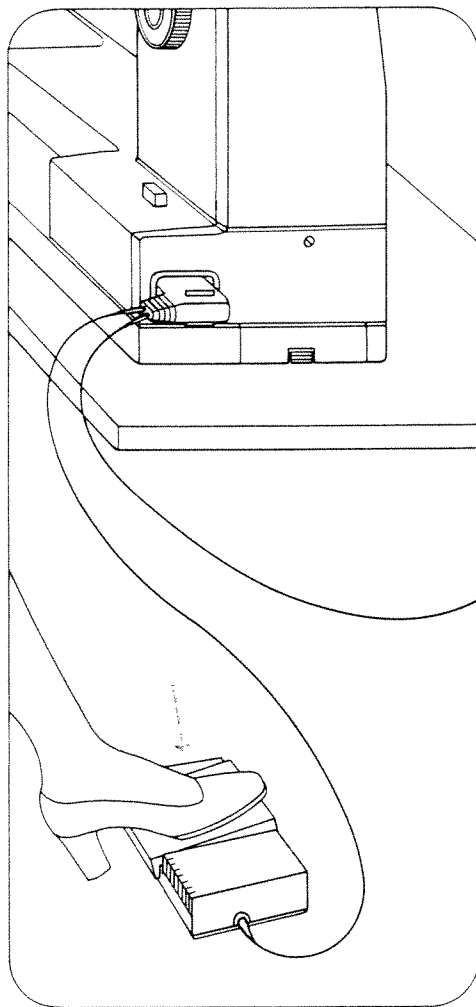
### Electrical connection

Push plug A into the machine socket and plug B into the wall socket. Press master switch 11. Your machine is now switched on and ready for sewing.



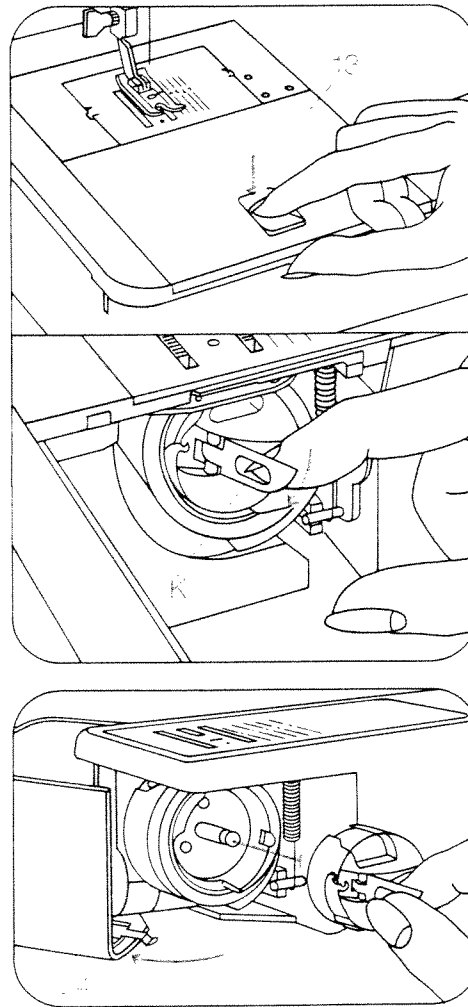
### Foot control

Place the foot control under the table. Press down its pedal. The machine starts sewing. The more the pedal is depressed, the faster the machine will run.



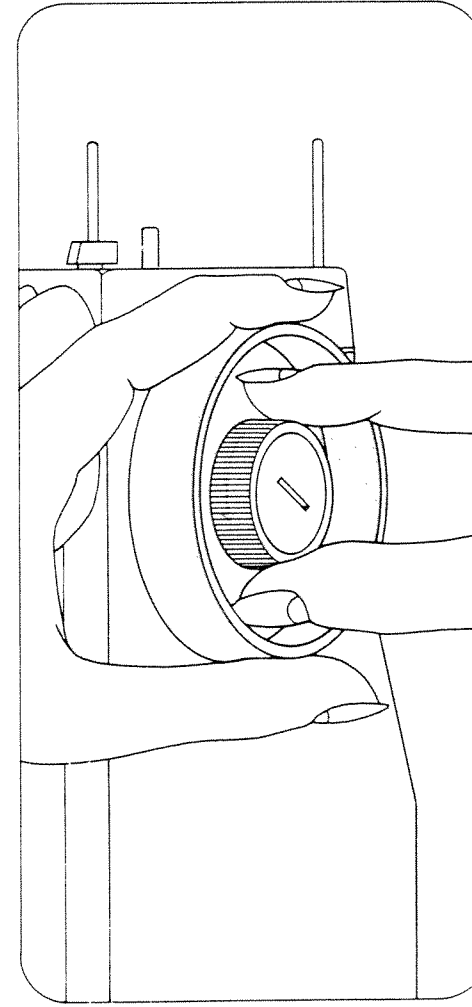
### Removing bobbin case and bobbin

Raise the needle. Remove bed cover 13 or open free arm cap 24. Lift latch K, pull out the bobbin case, release the latch and take out the bobbin. The bobbin cannot fall out as long as you keep latch K raised.



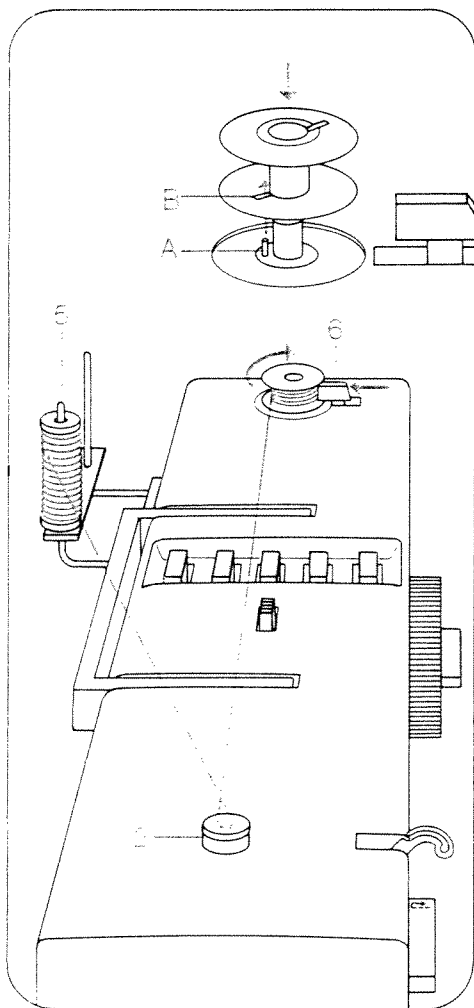
### Disengaging the sewing mechanism

Before you start winding the bobbin, disengage the sewing mechanism. To do this, hold the balance wheel steady and turn the stop motion knob toward you. After bobbin winding, turn the knob in the opposite direction to re-engage the sewing mechanism again.



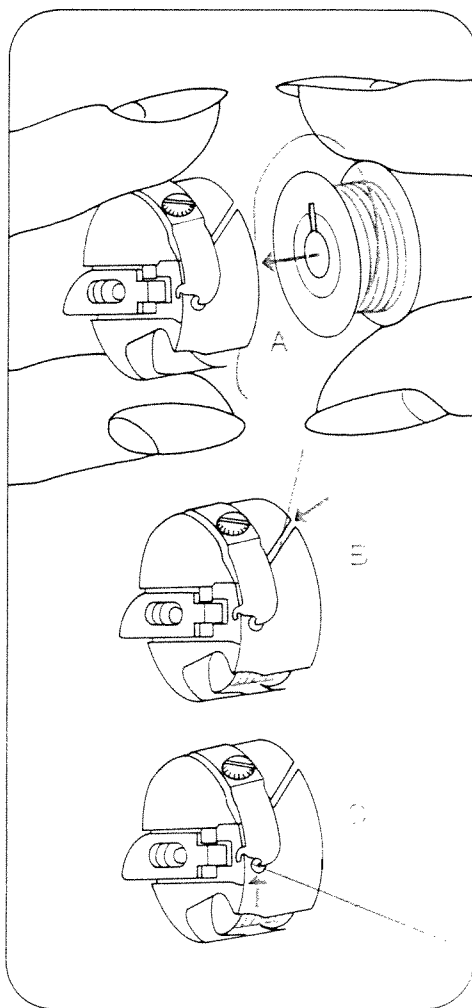
### Bobbin winding

Disengage the sewing mechanism. Raise pins 5. Place a bobbin on the bobbin winder so that pin A enters slot B. Place a spool of thread on one of the spool pins. Pass the thread around thread retainer stud 2, wind it around the bobbin a few times, and push lever 6 against the bobbin. The bobbin winder stops automatically when the bobbin is full. Re-engage the sewing mechanism.



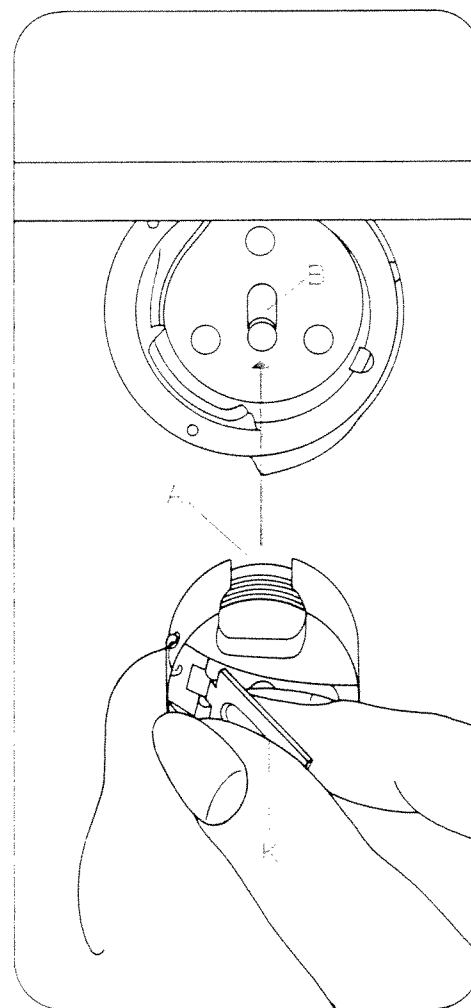
### Inserting the bobbin

Insert the filled bobbin into the bobbin case so that the thread unreels toward the back (A). Then draw the thread into slot B and under the spring into eye C.



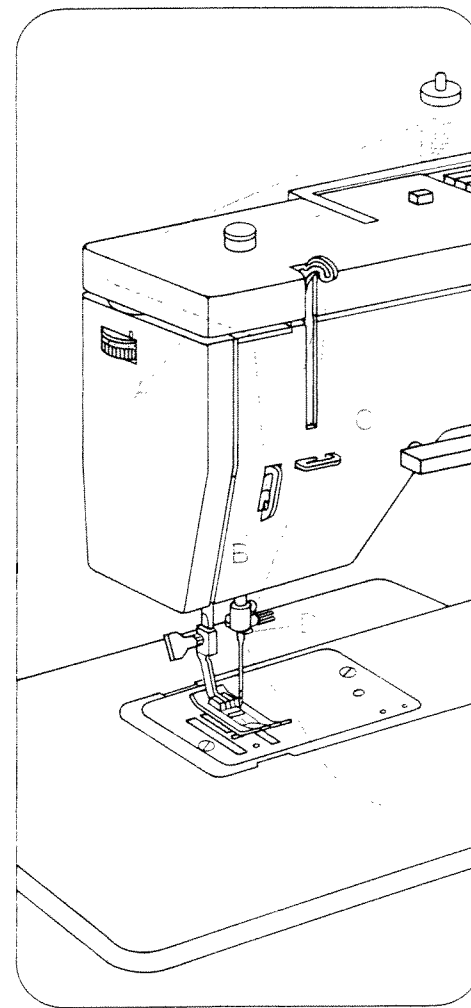
### Inserting the bobbin case

Lift latch K and push the bobbin case onto stud B, making sure slot A points upwards. Release the latch and lightly press against the bobbin case to make sure it has snapped into place.



### Upper threading

Pull the thread from the spool and draw it into slot A, guide B and take-up lever 1. Then pull it into guides C and D.



**Threading the needle 1196-1199**

Pull the thread through the needle eye from front to back.

**Drawing up the bobbin thread**

Hold the needle thread a little taut. Turn balance wheel 7 toward you until the needle moves down and up again and the take-up lever is up. Pull the bobbin thread out of the needle hole and lay both threads out toward the left and back under the sewing foot.

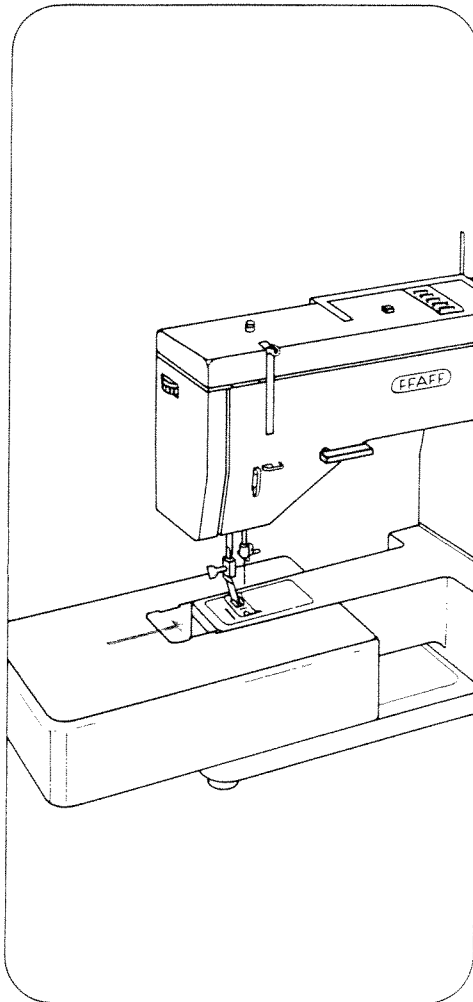
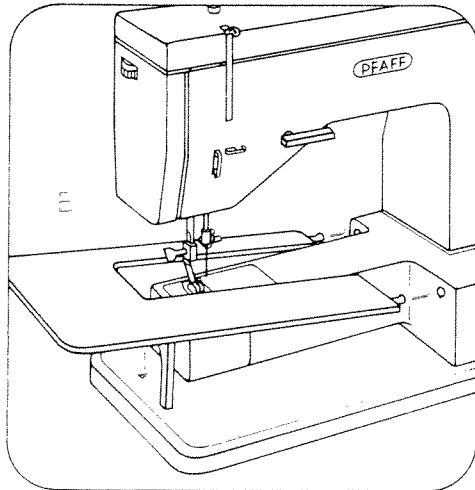
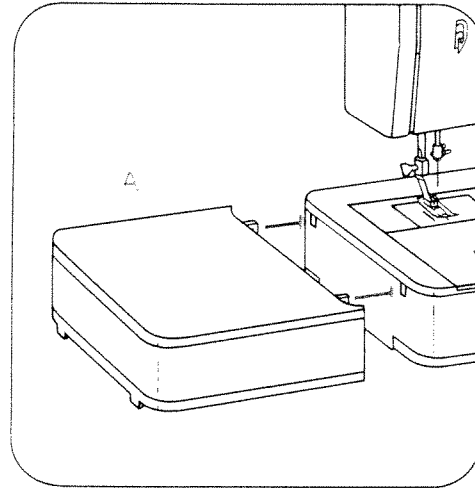
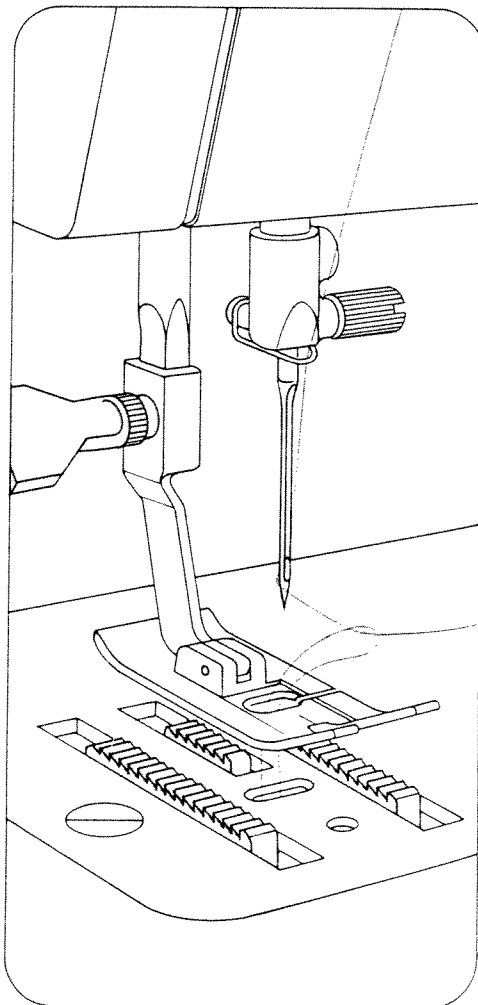
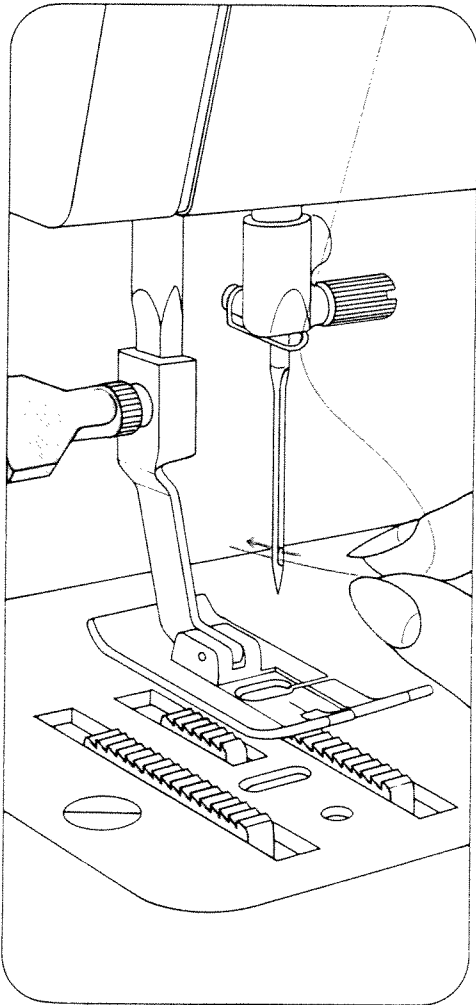
**Attaching the work support,  
Model 1196/1197**

1196: Turn over the foot control receptacle and attach it (A).

1197: Incline the workplate and push it over the free arm (B) until its guide pins enter the two holes, then lower it.

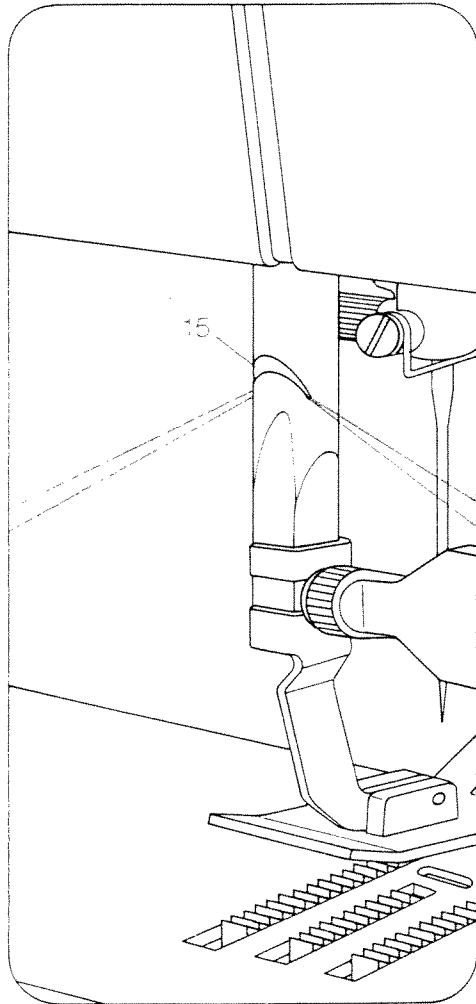
**Attaching the work support,  
Model 1199/1209**

Turn over the foot control receptacle and push it over the free arm as far as it will go



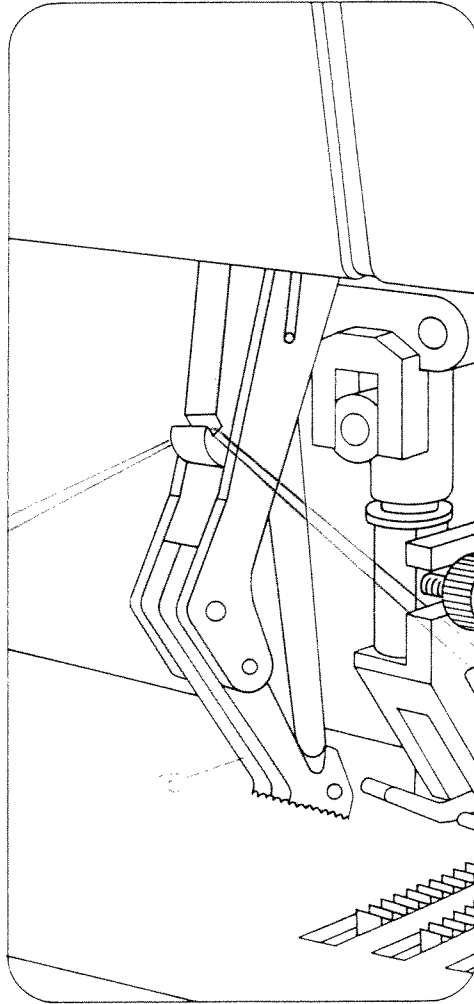
### Thread cutter, Models 1196/1199

There is a sharp-edged slot on the back of the presser bar which serves as a thread cutter. Raise the sewing foot. Pull the work back out of the machine. Place the threads in the thread cutter slot and pull them downwards to cut them.



### Thread cutter, Model 1209

The thread cutter is located at the back of dual feed 15. Raise the sewing foot. Pull the work back out of the machine. Place the threads over thread cutter 22 and pull them downwards to cut them.

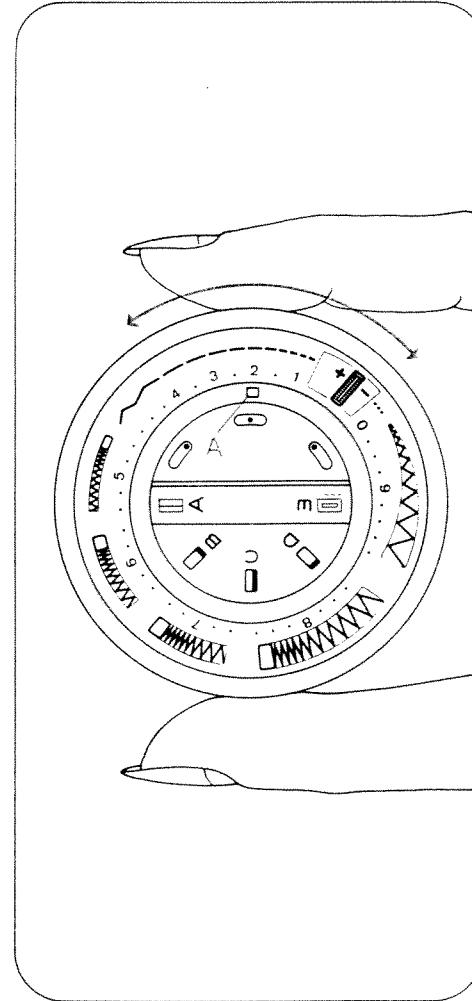


### Ultra-Matic stitch selector (9)

Turn the outer ring until the symbol of the straight or zigzag stitch desired is positioned above mark A.

### Straight stitch

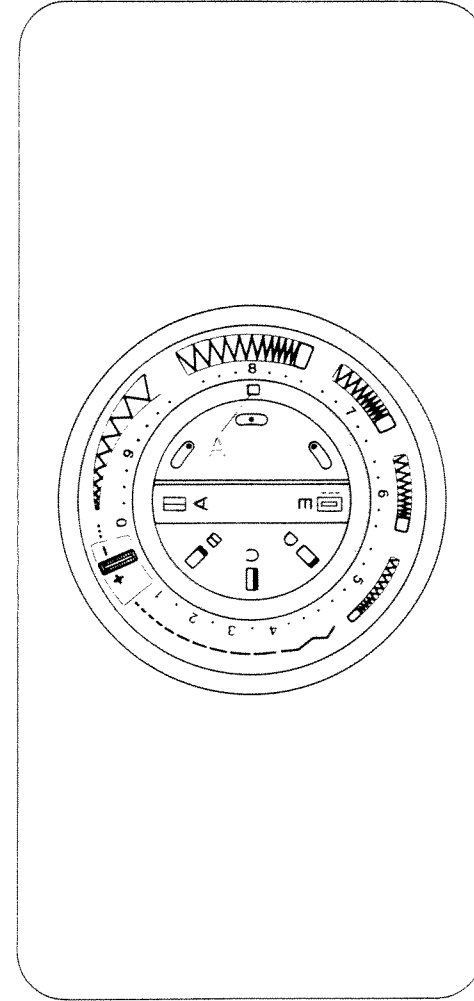
Straight stitches are located in the range from 0 to 4.



### Zigzag stitch

Setting mark = A

Zigzag stitches are sewn in the ranges marked 5, 6, 7, 8 and 9. At the right of this range, 5 to 8, the stitches are close together; toward the left, the zigzag stitches become increasingly longer. In ranges 4 and 5 a long, narrow zigzag stitch is made.

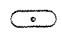
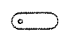



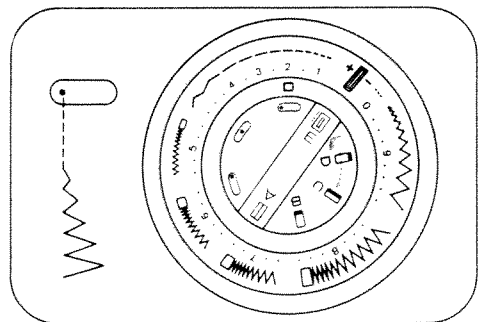
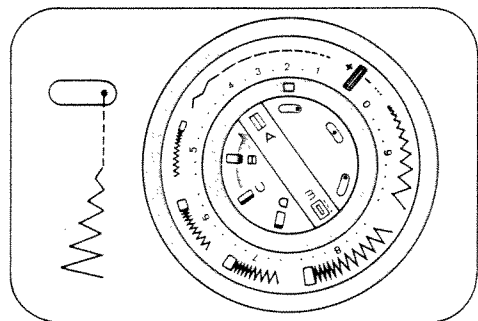
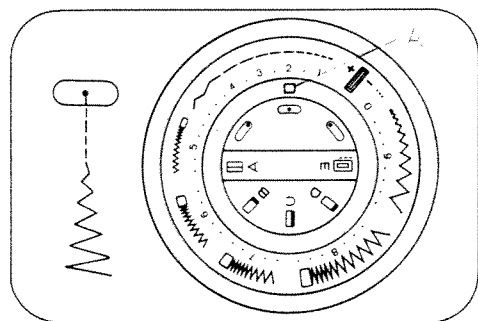


### Needle position

The needle can be set to different positions in the needle hole.

Turn knob 10 until the symbol of the needle position desired is positioned below mark A.

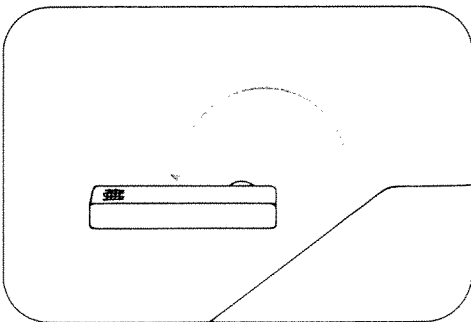
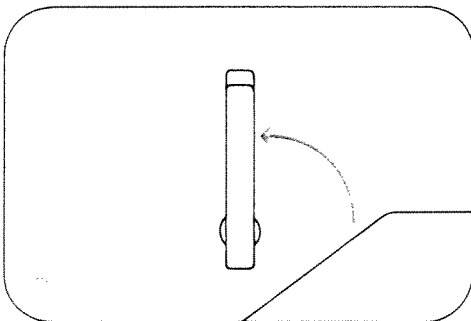
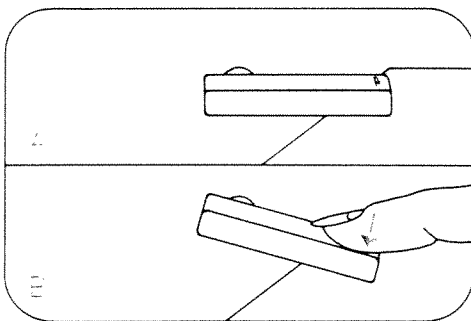
-  = central needle position (normal)
-  = right needle position
-  = left needle position



### Reverse sewing and dropping the feed dog

Reverse-feed control 17 has the following positions:

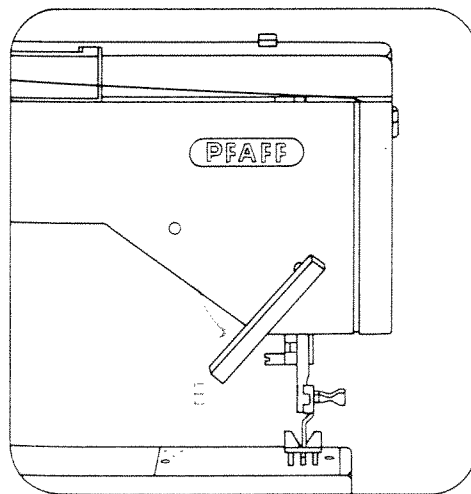
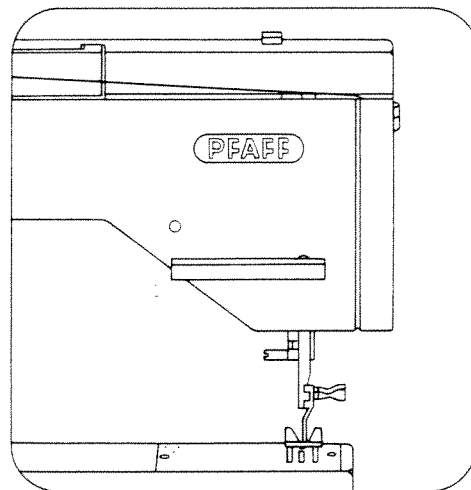
- A = Normal position
- B = As long as the control is depressed, the machine sews backwards.
- C = Vertical position. The machine sews permanently in reverse.
- D = The feed dog is dropped (for embroidering, darning, etc.).



### Presser bar lifter

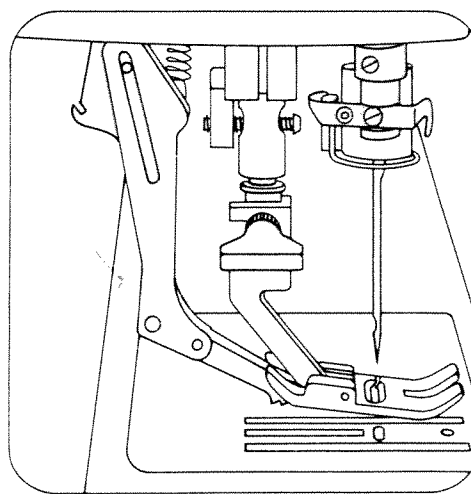
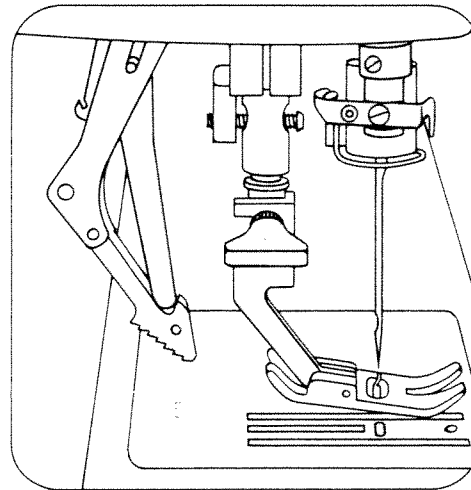
Lever 18 has two positions:

- A = Sewing foot raised. (Before you remove the work, turn the balance wheel toward you to raise the needle and take-up lever 1.)
- B = The sewing foot is lowered for sewing.



### Dual feed, Model 1209

This additional feed prevents one ply from creeping ahead of the other. To engage, push dual feed 15 down until it snaps into place. To disengage, push it down slightly, then pull it out.

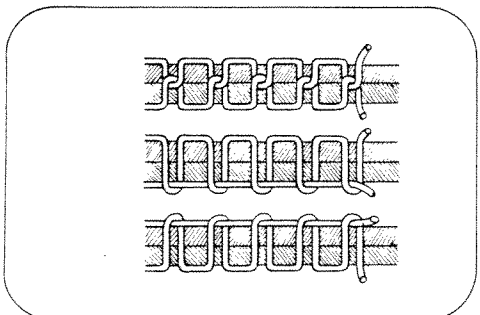
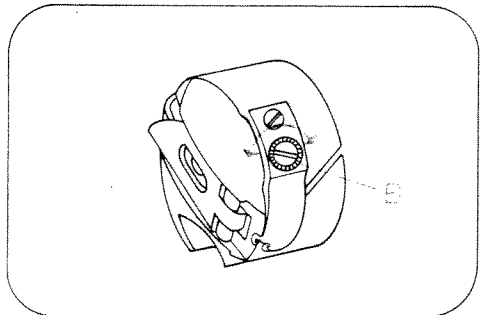
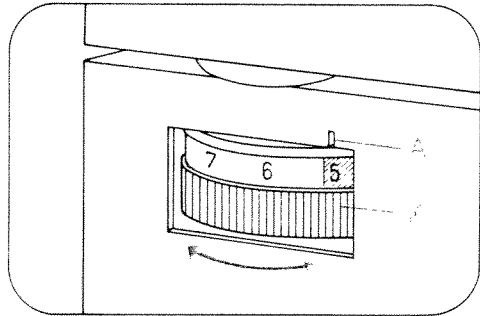


### Upper tension (16)

A = Setting mark. The normal tension setting is in the green range between 3 and 5. The higher the number, the tighter the tension.

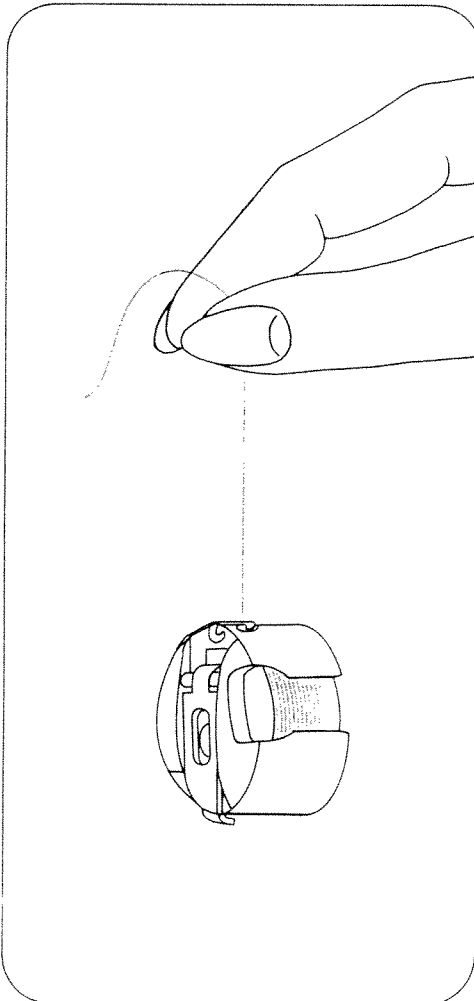
### Lower tension

- B = Regulating screw. Turn it left for a looser tension, or right for a tighter tension.
- C = Both tensions are correct.
  - = Upper tension too loose or lower tension too tight.
- E = Lower tension too loose or upper tension too tight.



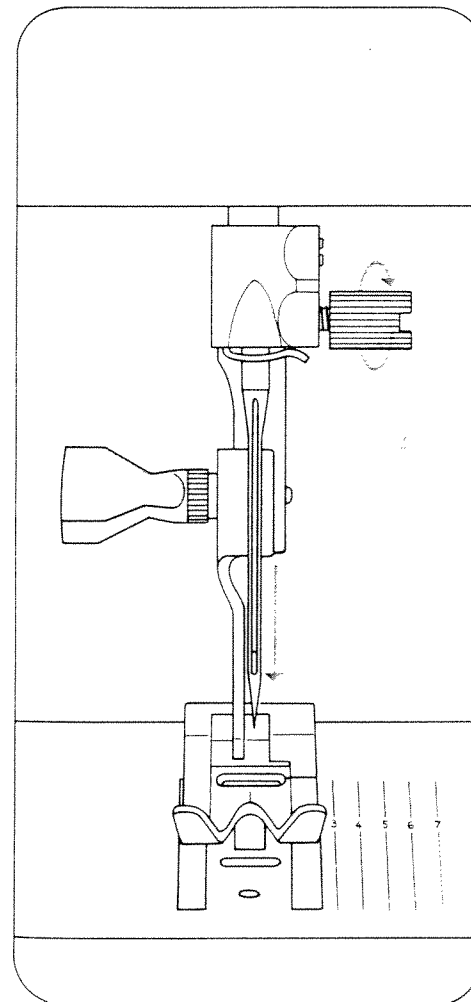
### The correct lower tension

Let the bobbin case with a full bobbin hang down freely by the thread. It must not slide down by its own weight, but should gradually move downwards when you jerk your hand upwards lightly.



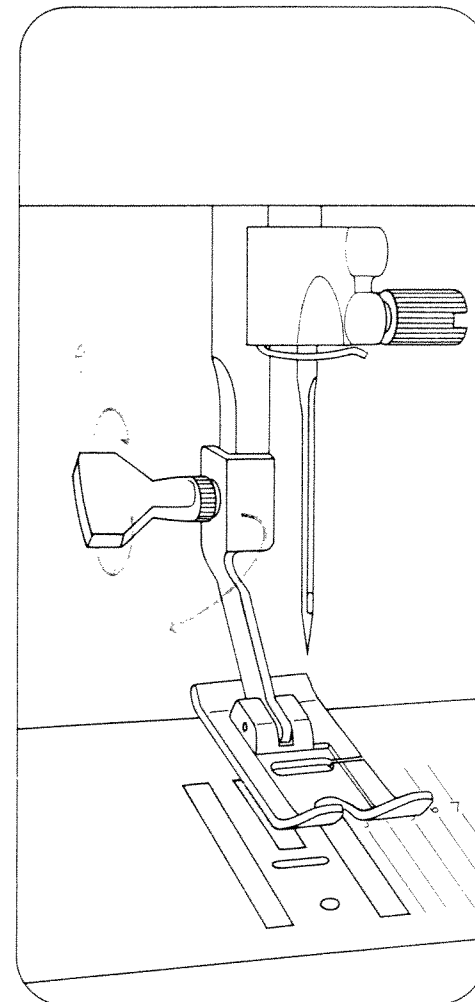
### Changing the needle

Raise the needle bar. Then hold the needle, loosen screw A and pull the needle out downwards. Insert a new System 130/705 H needle (with the flat side of its shank facing toward the back) and push it up as far as it will go. Then tighten screw A.



### Changing the sewing foot

Raise the needle bar. Loosen screw A until the sewing foot can be removed by pulling it forwards, sideways or backwards. Attach the sewing foot and tighten screw A.



### Utility stitches

- A Elastic stitch
- B Blindstitch
- C Elastic triple straight stitch
- D Overlock stitch
- E Cross stitch
- 3 Eraser button for releasing the pushed buttons.

### Utility-stitch setting

The setting of Ultra-Matic stitch selector 9/10 which is required for a specific utility stitch is indicated on the buttons.

Setting:

- A = Push button
- B = Turn Ultra-Matic stitch selector

### Utility-stitch combinations

Pushing two buttons simultaneously produces new utility-stitch patterns.

- I Honeycomb stitch  
Setting: buttons A+C, straight stitch 4, left needle position.
- II Pullover stitch  
Setting: buttons B+C, straight stitch 4, left needle position.
- III Super stretch stitch  
Setting: buttons C+D, straight stitch 4, left needle position, raise reverse-feed control 17,

### IV E stitch

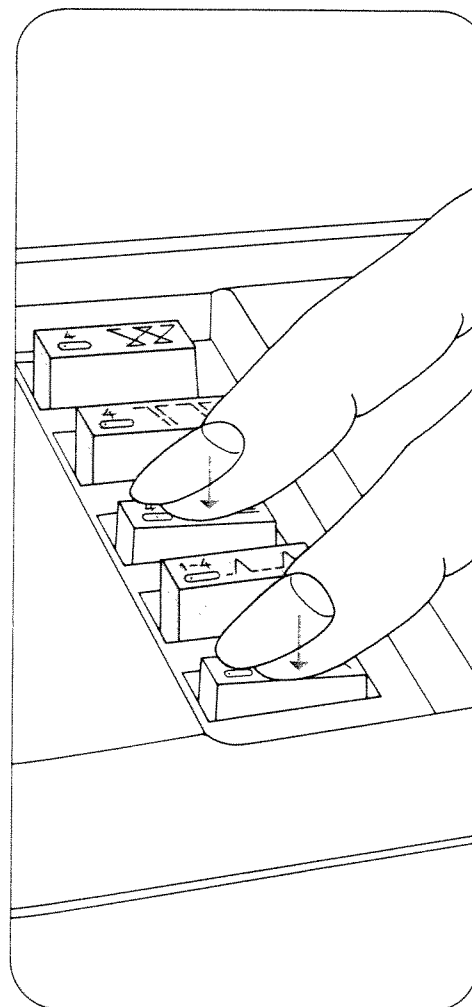
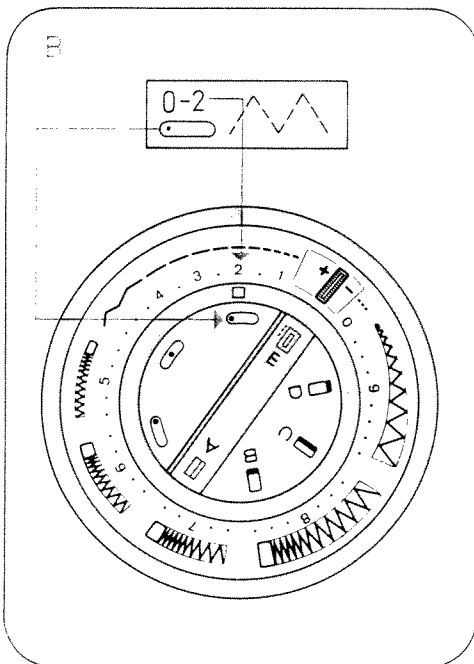
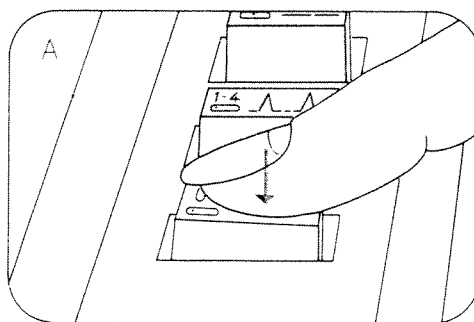
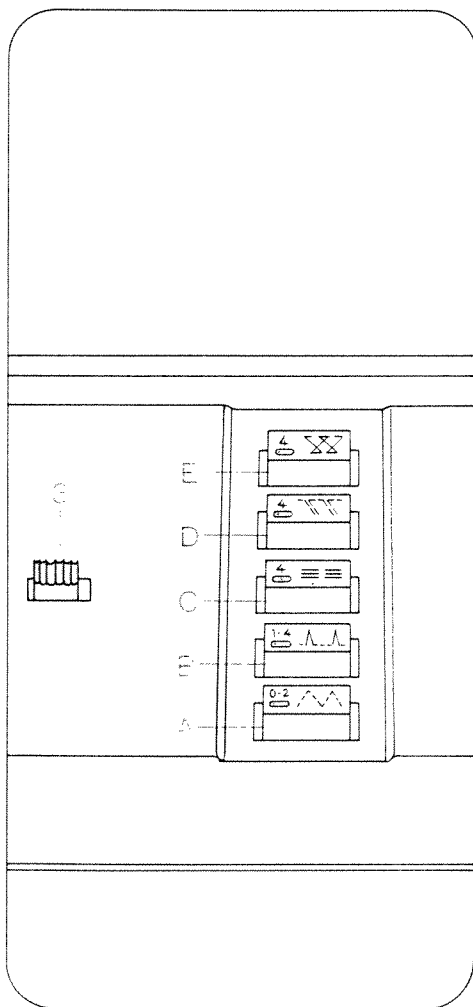
Setting: buttons B+C, straight stitch 0, left needle position, turn control 17 to vertical position.

### V Jersey stitch

Setting: buttons B+D, straight stitch 2, left needle position.

### Table of stitches (Supplement)

All stitches, including the utility-stitch combinations, are shown in the Table of Stitches.



$$\text{XXXXX} = \text{[0-2 Zigzag]} + \text{[4 Cross-hatch]}$$

$$\text{ZZZZZ} = \text{[1-4 Zigzag]} + \text{[4 Cross-hatch]}$$

$$\text{YYYYY} = \text{[4 Zigzag]} + \text{[4 Cross-hatch]}$$

$$\text{JJJJJ} = \text{[1-4 Zigzag]} + \text{[4 Cross-hatch]}$$

$$\text{WWWWW} = \text{[1-4 Zigzag]} + \text{[4 Zigzag]}$$

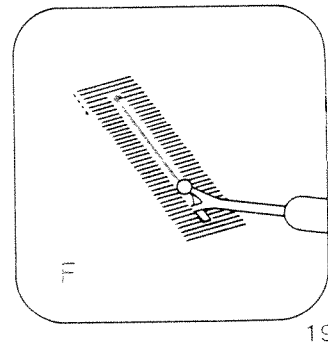
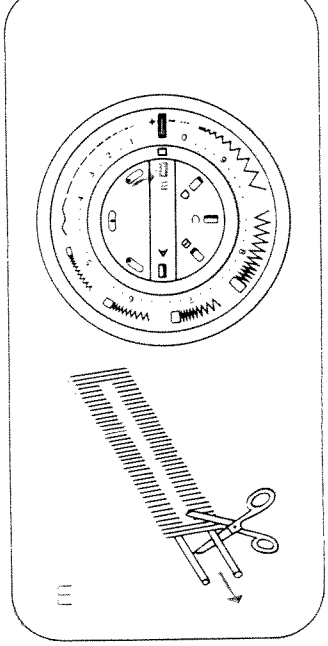
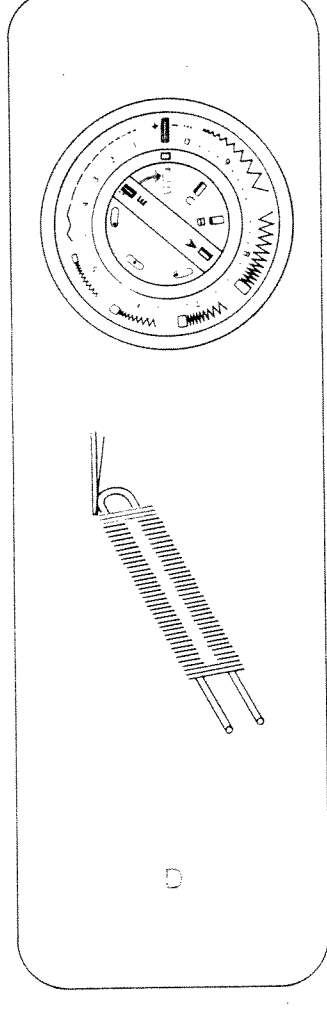
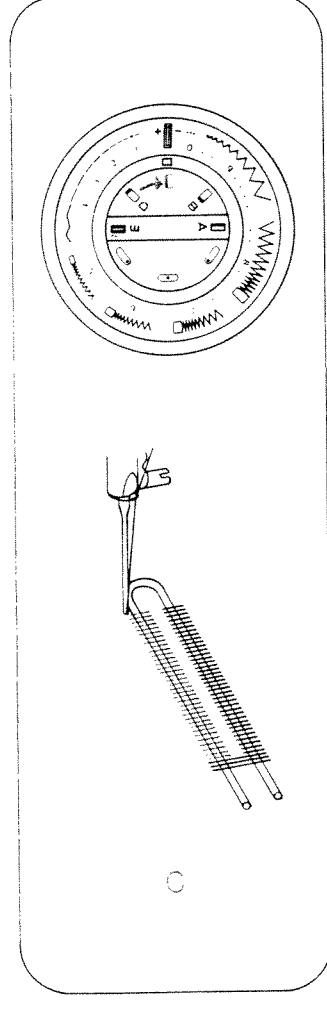
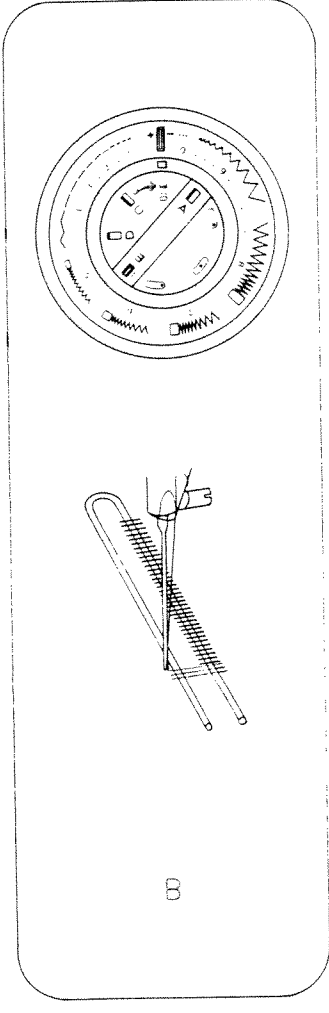
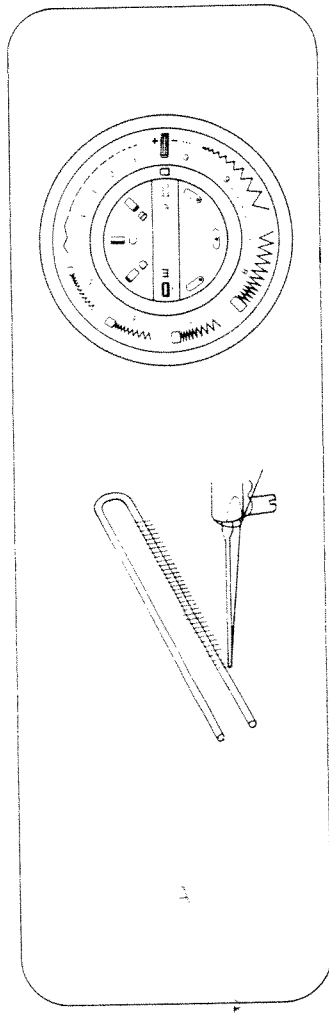
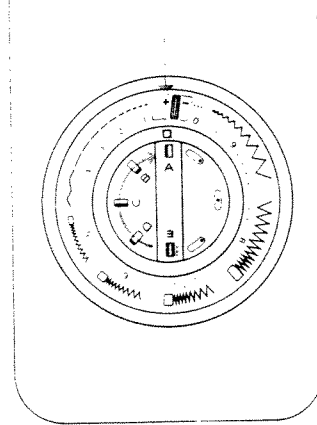
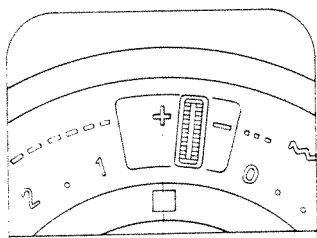
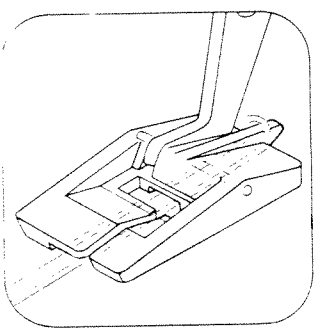
**Sewing buttonholes**

Attach buttonhole foot. Release the push buttons. Turn control 9 to + and control 10 so that buttonhole symbol A is positioned below the setting mark. Regulate the stitch density by turning control 9 in the buttonhole range from + to -. Insert a filler cord, as shown in the drawing.

- A Sew first buttonhole seam. Turn the balance wheel toward you to raise the needle.
- B Turn control to symbol B. Sew 4-6 bartacking stitches, raise the needle.

- C Turn control to symbol C. Sew in reverse until the second seam is the same length as the first. Raise the needle.
- D Turn control to symbol D. Sew 4-6 bartacking stitches. Raise the needle.

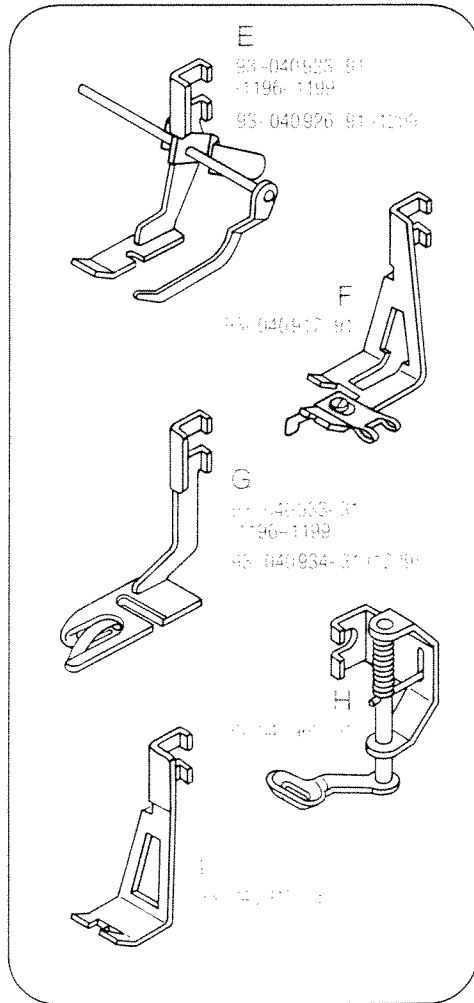
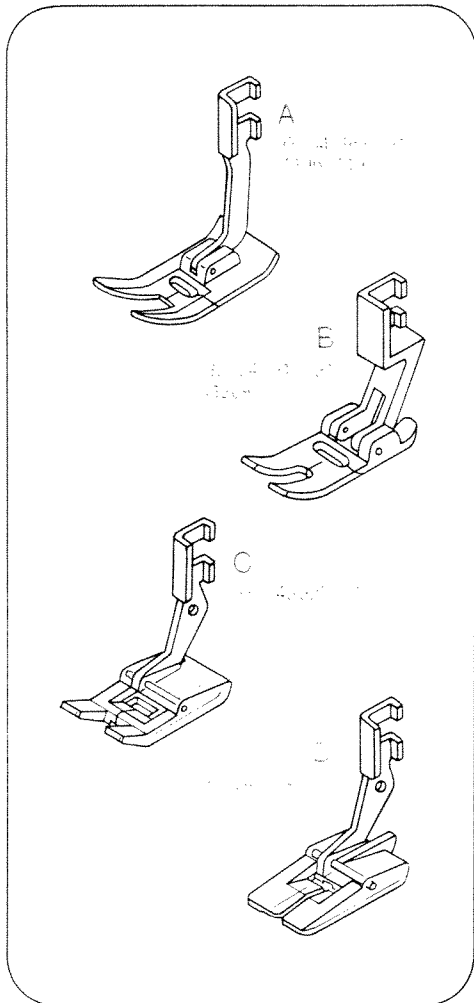
- E Turn control to symbol E. Sew a few tying stitches. Turn the balance wheel toward you to bring the take-up lever to its highest point. Remove the material. Pull the filler thread taut and trim both ends.
- F Cut buttonhole open.



### Sewing feet

- A Normal sewing foot, Models 1196-1199
- B Normal sewing foot, Model 1209; for all sewing operations requiring no special sewing foot.
- C Clear-view sewing foot; for ornamental sewing and sewing on buttons.
- D Buttonhole foot

- E Zipper or edge-stitching foot with edge guide
- F Blindstitch foot
- G Hemmer foot
- H Darning foot; for embroidering and darning.
- I Cording foot; for single-needle cording and appliquéing.



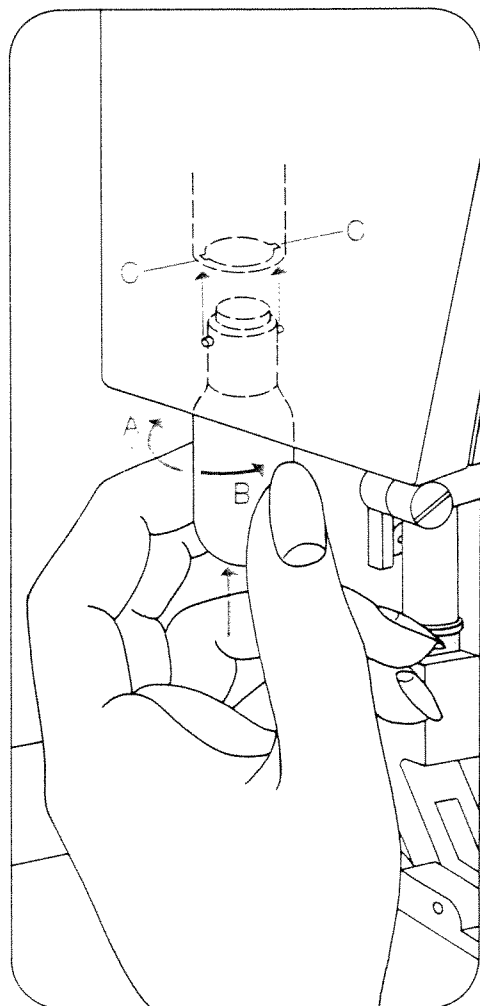
### Special accessories

The special accessories listed below are intended for special sewing jobs. They can be obtained from your Pfaff dealer.

Accessory	Ordering No.	Sewing Operation
Cording set	93-107 560-91	For cording work (needle size 80, for fine cording needle size 70)
Cording foot, 3 grooves (twin needle with 2.5 or 3.0 mm needle gauge)	93-040 948-31	
Cording foot, 5 grooves (twin needle with 1.8-, 2.0- or 2.5- mm needle gauge)	93-040 950-31	
Cording foot, 7 grooves (twin needle with 1.4-, 1.6 or 1.8- mm needle gauge)	93-040 952-31	
Fringe sewing foot	93-040 943-31	For sewing fringes and for basting
Straight-stitch foot	98-074 005-00	For topstitching and sewing very delicate and soft fabrics (silk jersey, etc.)
Needle plate with round needle hole for free-arm models	93-040 940-35	
Needle plate with round needle hole for flatbed models	93-040 939-35	
Edge guide (fastening screw 93-040 959-25)	91-053 077-25	For edge stitching
Zipper foot	98-501 000-27	For inserting zippers
Felling foot	93-040 938-31	For felled seams
Zigzag shirring foot	93-847 520-06	For shirring valances
Eyeletting plate	93-040 946-45	For eyeletting
Hemmer foot (shell-edge) 2.0 mm	93-847 546-00	For hemming edges with zigzag stitches
Hemmer foot (rolled edge) 1.0 mm	93-847 547-00	
Bias binder	98-055 622-00	For binding edges with bias tape
Zigzag Teflon foot (coated sole)	93-040 955-91	For sewing plastic materials
Roller foot	93-100 912-21	For sewing coated synthetic materials
Spool holder	93-040 584-45	For sewing with 3 spools of thread

### Changing the light bulb

Push the light bulb up, turn it toward A and pull it out. Insert the new light bulb so that its pins enter slots C. Push it up and turn it toward B.

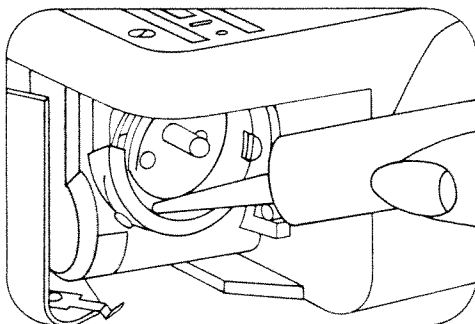
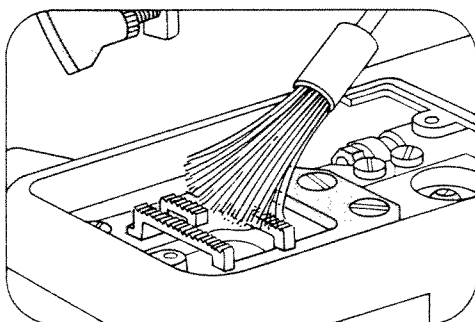
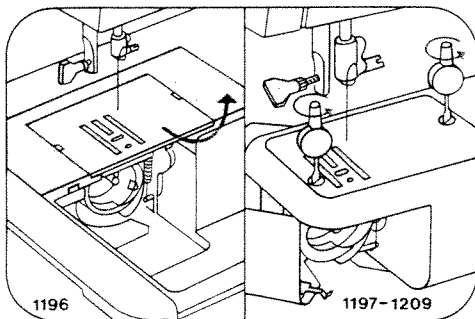


### Cleaning and oiling

1196: Remove cover 15. Pull needle plate forward and take it out.

1197-1209: Take out the screws and remove the needle plate. Open cover 24. Remove the bobbin case. Clean the parts in the vicinity of the sewing hook and the feed dog with a soft brush.

Do not oil the machine because it is maintenance-free, but now and then put a drop of oil into the hook raceway.

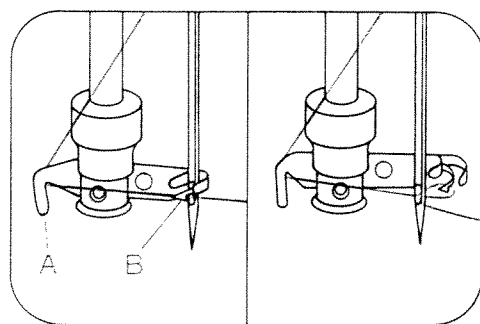
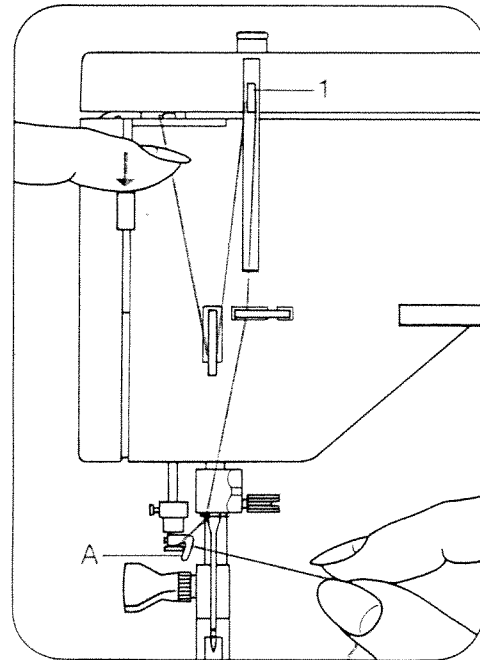


### Threading the needle 1209

Turn the balance wheel toward you to raise the needle and take-up lever 1 (see drawing).

Push control 25 down all the way.

Draw the thread under fingers A and B, at the same time releasing control 25 and the thread. The thread is then pulled through the needle eye.



## Cause:

## Remedy:

### 1. Machine skips stitches

Needle not inserted correctly.

Push needle up as far as it will go, its flat shank side facing toward the back.

Wrong needle used.

Insert system 130/705 H needle.

Needle bent or blunt.

Insert new needle.

Machine threaded improperly.

Check threading.

Needle too thin for thread used.

Select needle according to Needle and Thread Chart.

### 2. Needle thread breaks

For any of the above reasons.

See par. 1 above.

Thread tension too strong.

Regulate thread tensions.

Poor-quality or knotty thread used, or thread that has become too dry by excessive storage.

Use only good-quality thread.

### 3. Needle breaks

Needle not pushed up as far as it will go.

Insert new needle and push it up as far as it will go.

Needle bent.

Insert new needle.

Needle too thin or too thick.

Note Needle and Thread Chart.

Needle bent and strikes needle plate because work is pushed or pulled.

Let machine feed the work alone. Only guide the material lightly.

Bobbin case improperly inserted.

When inserting the bobbin case, press against it until it snaps into place.

## Cause:

## Remedy:

### 4. Seam is not uniform

Tension out of adjustment.

Check upper and lower tensions.

Thread too thick, knotty or hard.

Use first-class thread only.

Bobbin thread wound unevenly.

During bobbin winding, do not hold thread in hand, but pass it through thread retainer stud.

Kinks appear on top and bottom of material.

Thread machine properly and check both tensions.

### 5. Machine feeds irregularly or not at all

Lint has accumulated between tooth rows of feed dog.

Remove needle plate and clean out lint.

Feed dog dropped. (Reverse-feed control is at left.)

Flick reverse-feed control to the right.

### 6. Machine works heavily

Thread ends in hook raceway.

Remove thread ends and put a drop of oil into hook raceway.