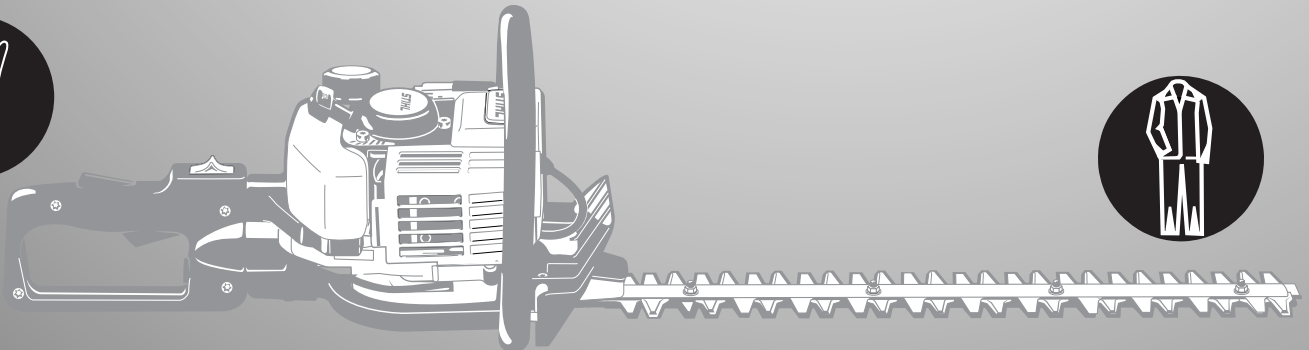


Hedge Trimmer Safety Manual



Contents



Warning!

Because a hedge trimmer is a high-speed cutting tool, some special safety precautions must be observed to reduce the risk of personal injury.

Careless or improper use may cause serious or even fatal injury.

To receive maximum performance and satisfaction from your STIHL hedge trimmer, it is important that you read and understand the maintenance and safety precautions before using your hedge trimmer. Contact your STIHL dealer or the STIHL distributor for your area if you do not understand any of the instructions in this manual.

Main Parts of Hedge Trimmer (for right and left hand use, HS 72, HS 74, HS 75, HS 80)	2
Definitions	3
Main Parts of Hedge Trimmer (for left hand use, HS 76, HS 85)	4
Definitions	5
Safety Precautions and Working Techniques	6
- The Operator	6
- The Hedge Trimmer	8
- The Use of the Hedge Trimmer	8
- Maintenance, Repair and Storing	13
Maintenance Chart	15

Printed on chlorine-free paper

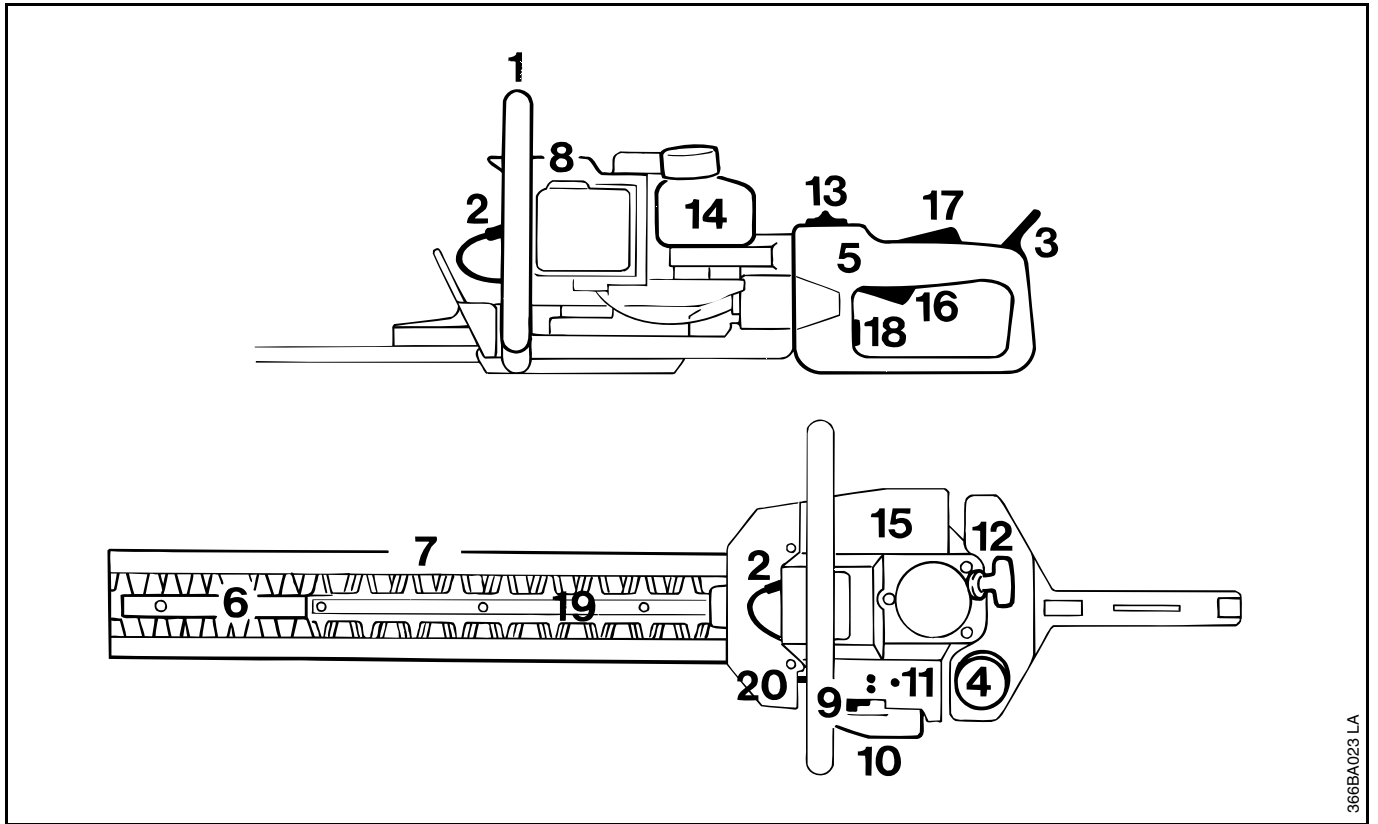
Printing inks contain vegetable oils,
paper is recyclable

© Andreas Stihl AG & Co. KG, 2003

0457 189 3021. M7.5. C3. CP. Printed in USA

STIHL®

Main Parts of Hedge Trimmer (for right and left hand use, HS 72, HS 74, HS 75, HS 80)



366BA023 LA

1 = Front Handle (handle bar)

2 = Spark Plug Boot

3 = Starting Lock

4 = Fuel Filler Cap

5 = Rear Handle

6 = Cutter Blades

7 = Cutter Blade Scabbard

8 = Shroud

9 = Choke Lever

10 = Filter Housing

11 = Carburetor Adjustment Screws

12 = Starter Grip

13 = Slide Control

14 = Fuel Tank

15 = Muffler

16 = Throttle Trigger

17 = Throttle Trigger Interlock
18 = Rear Handle Twist Lock
(HS 74, HS 80 only)

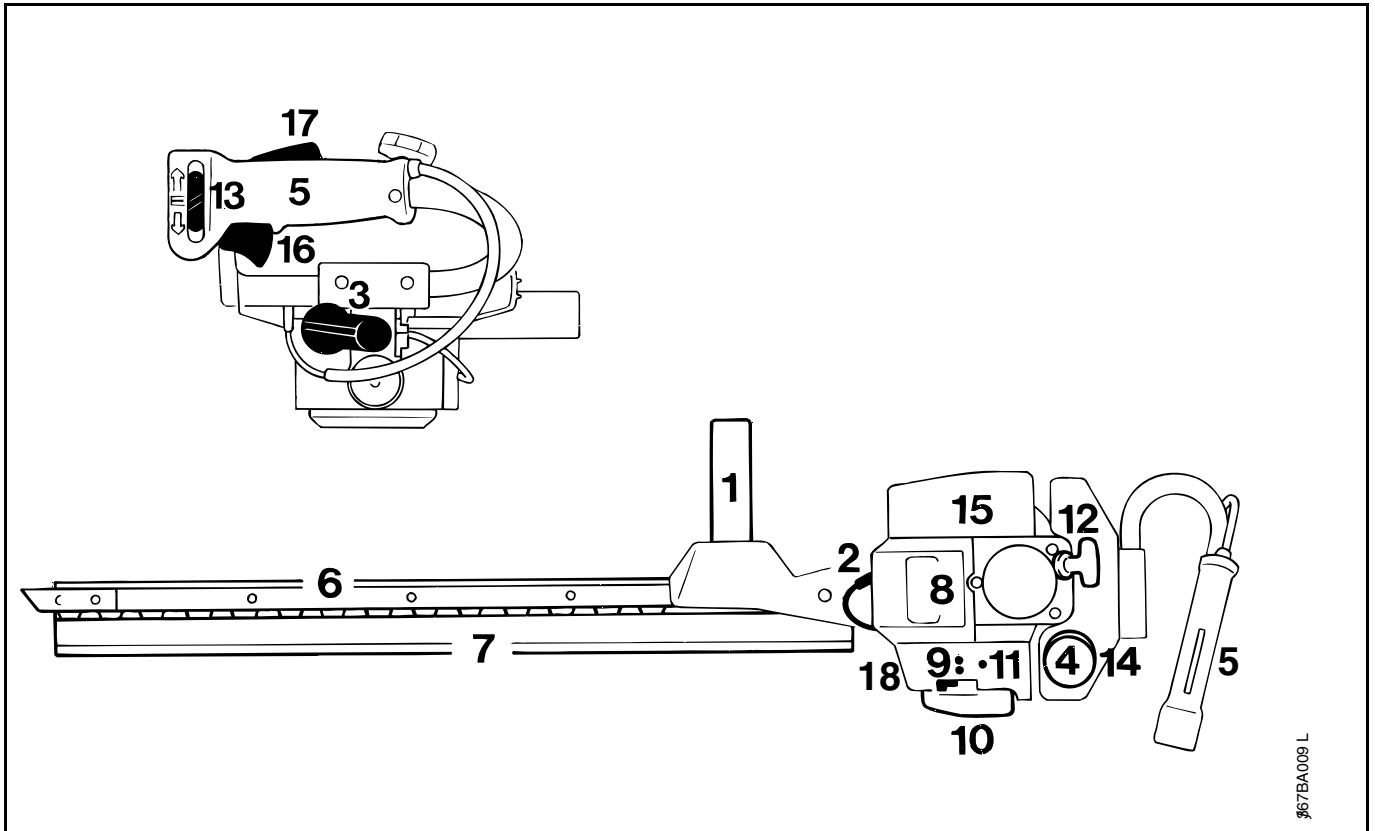
19 = Cutter Guard

20 = Fuel Pump

Definitions

- 1. Front Handle.**
Handle bar for the left hand at front of hedge trimmer.
- 2. Spark Plug Boot.**
Connects the spark plug with the ignition wire.
- 3. Starting Lock.**
Helps to prevent movement of cutter blade during starting.
- 4. Fuel Filler Cap.**
For closing the fuel tank.
- 5. Rear Handle.**
The support handle for the right hand, located at or toward the rear of the hedge trimmer.
- 6. Cutter Blade.**
Steel blades for cutting hedges and shrubs.
- 7. Cutter Blade Scabbard.**
Covers cutter blade when hedge trimmer is not in use.
- 8. Shroud.**
Polymer housing which encloses the power unit.
- 9. Choke Lever.**
Eases engine starting by enriching mixture.
- 10. Filter Housing.**
Housing, which covers the air filter.
- 11. Carburetor Adjustment Screws.**
for tuning carburetor.
- 12. Starter Grip.**
The grip of the pull starter, which is the device to start the engine.
- 13. Slide Control.**
Lever for starting throttle and stop switch.
- 14. Fuel Tank.**
For gasoline and oil mixture.
- 15. Muffler.**
Reduces the risk of contact with (hot) muffler.
- 16. Throttle Trigger.**
Controls the speed of the engine.
- 17. Throttle Trigger Interlock.**
Must be depressed before activating the throttle trigger.
- 18. Rear Handle Twist lock.
(HS 74, HS 80 only).**
Lever for rotating the rear handle.
- 19. Cutter Guard.**
Helps to reduce the risk of operator contact by the cutter blade.
- 20. Fuel Pump.**
Provides additional fuel feed for a cold start.

Main Parts of Hedge Trimmer (for left hand use, HS 76, HS 85)



1 = Front Handle (assist handle)

with hand guard

2 = Spark Plug Boot

3 = Starting Lock

4 = Fuel Filler Cap

5 = Control Handle

6 = Cutting Blade

7 = Blade Guard

8 = Shroud

9 = Choke Lever

10 = Filter Housing

11 = Carburetor Adjustment Screws

12 = Starter Grip

13 = Slide Control

14 = Fuel Tank

15 = Muffer Guard

16 = Throttle Trigger

17 = Throttle Trigger Interlock

Definitions

- 1. Front Handle (assist handle) with hand guard.**
Handle bar for the right hand at front of hedge trimmer. Hand guard reduces the risk of injury from contact with the cutter blade.
- 2. Spark Plug Boot.**
Connects the spark plug with the ignition wire.
- 3. Starting Lock.**
Helps prevent movement of cutter blade during starting.
- 4. Fuel Filler Cap.**
For closing the fuel tank.
- 5. Control Handle.**
The support handle for the left hand, located at or toward the rear of the hedge trimmer.
- 6. Cutting Blade.**
Steel blades for cutting hedges and shrubs.
- 7. Blade Guard.**
Covers cutter blade when hedge trimmer is not in use.
- 8. Shroud.**
Polymer housing which encloses the power unit.
- 9. Choke Lever.**
Eases engine starting by enriching mixture.
- 10. Filter Housing.**
Housing, which covers the air filter.
- 11. Carburetor Adjustment Screws.**
For tuning carburetor.
- 12. Starter Grip.**
The grip of the pull starter, which is the device to start the engine.
- 13. Slide Control.**
Lever for starting throttle and stop switch.
- 14. Fuel Tank.**
For gasoline and oil mixture.
- 15. Muffler Guard.**
Reduces the risk of contact with (hot) muffler.
- 16. Throttle Trigger.**
Controls the speed of the engine.
- 17. Throttle Trigger Interlock.**
Must be depressed before activating the throttle trigger.

Safety Precautions and Working Techniques



Because a hedge trimmer is a high-speed, fast-cutting power tool, special safety precautions must be observed to reduce the risk of personal injury.



It is important that you read, fully understand and observe the following safety precautions and warnings. Read the owner's manual and the safety instructions periodically.

Careless or improper use of any hedge trimmer may cause serious or fatal injury.

Have your STIHL dealer show you how to operate your hedge trimmer. Observe all applicable local safety regulations, standards and ordinances.



Warning!
The use of any hedge trimmer may be hazardous. If the cutting tool comes in contact with your body, it will cut you.

Striking solid foreign objects such as stones, fence wire or metal could damage the cutting attachment and may cause blades to crack, chip or break. STIHL does not recommend the use of hedge trimmers when cutting in areas where the blades could contact such objects.



Warning!
Minors should never be allowed to use a hedge trimmer. Bystanders, especially children, and animals should not be allowed in the area where a hedge trimmer is in use.

The operator is responsible for avoiding injury of third parties and damage to their property.

Never let the hedge trimmer run unattended.



Warning!
Do not lend or rent your hedge trimmer without the owner's manual. Be sure that anyone using your hedge trimmer understands the information contained in this manual.

Most of these safety precautions and warnings apply to the use of all STIHL hedge trimmers. Different models may have different parts and controls. See the appropriate section of your owner's manual for a description of the controls and function of the parts of your model hedge trimmer.

Safe use of a hedge trimmer involves

1. the operator
2. the hedge trimmer
3. the use of the hedge trimmer.

THE OPERATOR!

Physical Condition

You must be in good physical condition and mental health and not under the influence of any substance (drugs, alcohol, etc.) which might impair vision, dexterity or judgment. Do not operate a hedge trimmer when you are fatigued. Be alert - if you get tired while operating your hedge trimmer, take a break. Tiredness may result in loss of control. Working with any hedge trimmer can be strenuous. If you have any condition that might be aggravated by strenuous work, check with your doctor before operating a hedge trimmer.



Warning!
Prolonged use of a hedge trimmer (or other machines) exposing the operator to vibrations may produce whitefinger disease (Raynaud's phenomenon) or carpal tunnel syndrome. These conditions reduce the hand's ability to feel and regulate temperature, produce numbness and burning sensations and may cause nerve and circulation damage and tissue necrosis.

All factors which contribute to whitefinger disease are not known, but cold weather, smoking and diseases or physical conditions that affect blood vessels and blood transport, as well as high vibration levels and long periods of exposure to vibration are mentioned as factors in the development of whitefinger disease. In order to reduce the risk of whitefinger disease and carpal tunnel syndrome, please note the following:

- Most STIHL power tools are available with an anti-vibration ("AV") system designed to reduce the transmission of vibrations created by the engine to the operator's hands. An AV system is recommended for those persons using power tools on a regular or sustained basis.
- Wear gloves and keep your hands warm.
- Keep the AV system well maintained. A hedge trimmer with loose components or with damaged or worn AV buffers will tend to have higher vibration levels.
- Maintain a firm grip at all times, but do not squeeze the handles with constant, excessive pressures, take frequent breaks.

All the above mentioned precautions do not guarantee that you will not sustain whitefinger disease or carpal tunnel syndrome. Therefore continual and regular users should monitor closely the condition of their hands and fingers. If any of the above symptoms appear, seek medical advice immediately.

 **Warning!**

The ignition system of your unit produces an electromagnetic field of a very low intensity. This field may interfere with some pacemakers. To reduce the risk of serious or fatal injury, persons with pacemaker should consult their physician and the pacemaker manufacturer before operating this tool.


Proper Clothing

 **Warning!**



Hedge trimmer operation can cause serious injury to eyes, ears and person. Therefore, to reduce the risk of injury to your eyes never

operate a hedge trimmer unless wearing goggles or properly fitted safety glasses with adequate top and side protection complying with ANSI Z 87.1 (or your applicable national standard). To reduce the risk of injury to your face STIHL recommends that you also wear a face shield or face screen over your goggles or safety glasses.

 **Warning!**

Hedge trimmer noise may damage your hearing. Wear sound barriers (ear plugs or ear mufflers) to protect your hearing. Continual and regular users should have their hearing checked regularly.



Wear proper protective clothing. Clothing must be sturdy and snug-fitting, but allow complete freedom of movement. Avoid loose-fitting jackets, scarfs, neckties, jewelry, flared or cuffed pants, unconfined long

hair or anything that could become caught on branches, brush or moving parts of the unit. Wear long pants made of heavy material to protect your legs. Do not wear shorts.



Protect your hands with gloves when handling the hedge trimmer and the cutting tool. Heavy-duty, nonslip gloves improve your grip and help to protect your hands.



Good footing is most important in hedge trimmer work. Wear sturdy boots with nonslip soles. Steeltoed safety boots are recommended.

Wear an approved safety hard hat to reduce the risk of injury to your head when there is a danger of head injuries.

THE HEDGE TRIMMER

For illustrations and definitions of the hedge trimmer parts see the chapter on "Parts and Controls"!



Warning!
Never modify a hedge trimmer in any way. Only attachments supplied by STIHL or expressly approved by STIHL for use with the specific STIHL hedge trimmer models are authorized. Although certain unauthorized attachments are useable for the STIHL hedge trimmer, their use may, in fact, be extremely dangerous.

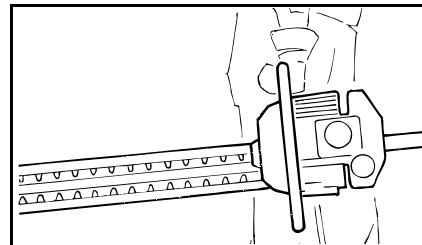
THE USE OF THE HEDGE TRIMMER

Transporting the hedge trimmer

To reduce the risk of injury from blade contact, never carry or transport the hedge trimmer with the cutter blades running. The correct engine idle speed is important in this respect. If the carburetor setting is correct, the cutter blades will be stationary at idle speed. Always engage the starting lock before transporting the machine (see chapter "Starting"). The starting lock may only be engaged when the cutter blades are at a standstill.

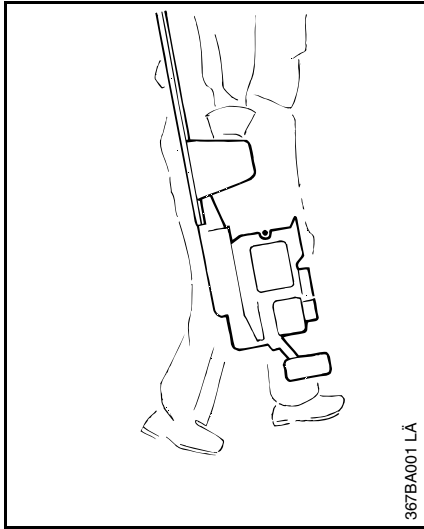
Always switch off the engine and fit the scabbard over the cutter blades before transporting the hedge trimmer over long distances.

When transporting your hedge trimmer in a vehicle, properly secure it to prevent turnover, fuel spillage and damage to the hedge trimmer.



HS 72, 74, 75, 80

The hedge trimmer may be carried only in the normal position. Grip the front handle and keep the cutter blades behind you.



HS 76, 85

The hedge trimmer may be carried only in the normal upright position. Grip the front handle and keep the cutter blades behind you.

Preparation for the use of the hedge trimmer

Warning!

Always check your hedge trimmer for proper condition and operation before starting, particularly the throttle trigger, throttle trigger interlock, stop switch, cutting tool and starting lock. The throttle trigger must move freely and always spring back to the idle position. The cutting tool must be properly tightened and in safe operating condition. Inspect for loose parts (nuts, screws, etc.) and for cracked, bent, warped or damaged blades. Regularly check the condition and tightness of the cutter blades - with the engine stopped! Service damaged cutter blades before using the hedge trimmer. Always keep blades sharp. Keep the handles clean and dry at all times; it is particularly important to keep them free of oil and resin to ensure that you can always maintain a firm grip and safely control your machine.

Warning!

Removal of safety devices can lead to serious injury.

Always spray the cutter blades with STIHL resin solvent before starting work - with the engine stopped! You can obtain this protective spray from your dealer. Apply generously.

Fueling

Your STIHL hedge trimmer uses an oil-gasoline mixture for fuel (see the chapter on "Fuel" of your owner's manual).

Warning!

Gasoline is an extremely flammable fuel. If spilled or ignited by a spark or other ignition source, it can cause fire and serious burn injury or property damage. Use extreme caution when handling gasoline or fuel mix.



Do not smoke or bring any fire or flame near the fuel.

Fueling Instructions

Fuel your hedge trimmer in well-ventilated areas, outdoors.

Warning!

Gasoline vapor pressure may build up inside the gas tank of a two cycle engine depending on the fuel used, the weather conditions, and the venting system of the tank. In order to reduce the risk of burns or other personal injury from escaping gas vapor and fumes, remove the fuel filler cap on your hedge trimmer carefully so as to allow any pressure

build-up in the tank to release slowly. Never remove fuel filler cap while engine is running. Select bare ground for fueling and move at least 10 feet (3 m) from the fueling spot before starting the engine.

Wipe off any spilled fuel before starting your hedge trimmer and check for leakage.

Check for fuel leakage while refueling and during operation. If fuel-leakage is found, do not start or run the engine until leak is fixed and spilled fuel has been wiped away. Take care not to get fuel on your clothing. If this happens, change your clothing immediately.

Never attempt to fuel a running or hot engine.



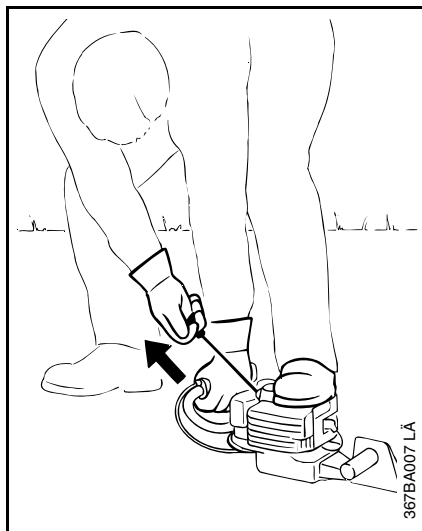
Warning!

Unit vibrations can cause an improperly tightened fuel cap to loosen or come off and spill quantities of fuel.



In order to reduce risk of fuel spillage and fire, tighten fuel cap by hand with as much force as possible.

The screw driver end of the STIHL combination wrench or other similar tool can be used as an aid in tightening slotted fuel caps.



Starting



Warning!

Your hedge trimmer is a one-person machine. Start and operate your hedge trimmer without assistance.



Warning!

To reduce the risk of injury from blade contact, do not attempt to "drop start" your hedge trimmer. For specific starting instructions, see the appropriate section of your manual. Place the hedge trimmer on firm ground or other solid surface in an open area. Maintain a good balance and secure footing. Always engage the starting lock before starting

to reduce the risk of injury from blade contact or loss of control.

When the engine starts at starting-throttle, engine speed will be fast enough for the clutch to engage and move the cutting tool.

When you pull the starter grip, don't wrap the starter rope around your hand. Do not allow the grip to snap back, but guide the starter rope to rewind properly. Failure to follow this procedure may result in injury to hand or fingers and may damage the starter mechanism.

Working Conditions



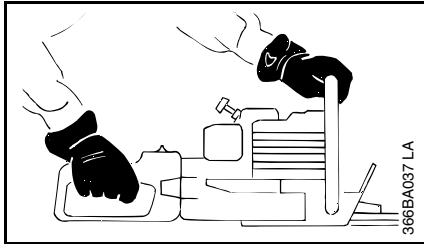
Warning!



To reduce the risk of injury from inhalation of poisonous fumes, operate and start your hedge trimmer only outdoors in a ventilated area.

Hold your hedge trimmer in such a way that you do not breathe in the exhaust fumes. Operate the hedge trimmer under good visibility and daylight conditions only.

Work carefully. Take particular care in slippery conditions and on slopes. Be careful on uneven ground. Watch out for stumps, roots, ditches or holes which could cause you to trip or stumble.



Before you start work, examine the hedge for stones, fence wire, metal or other solid objects which could damage the cutter blades.

Operating instructions

Do not cut any material other than hedges and shrubs. The cutting tools may be used only for the operations described in your manual.



Warning!

To reduce the risk of injury from loss of control, always hold your hedge trimmer firmly with both hands while you are working. Wrap your fingers tightly around the front and rear handles.

For correct hand placement refer to the owner's manual of your specific unit.



Warning!

Never attempt to operate any hedge trimmer with one hand. Loss of control of the hedge trimmer resulting in serious or fatal injury may result.

Make sure you always have good footing.

Always work calmly and carefully, stay alert so as not to endanger others.

When working close to the ground, make sure that no sand, grit or stones get between the cutter blades.

If the cutter blades become jammed by thick branches or any other obstruction, switch off the engine immediately before attempting to free the blades.



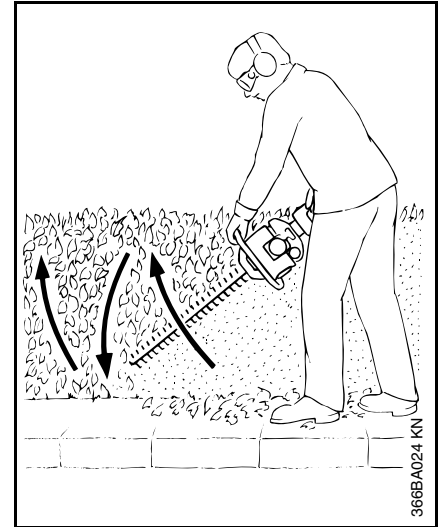
Warning!

To reduce the risk of injury from loss of control, never work on a ladder, in a tree or any other insecure support. Never use the hedge trimmer above shoulder height or with one hand.



Warning!

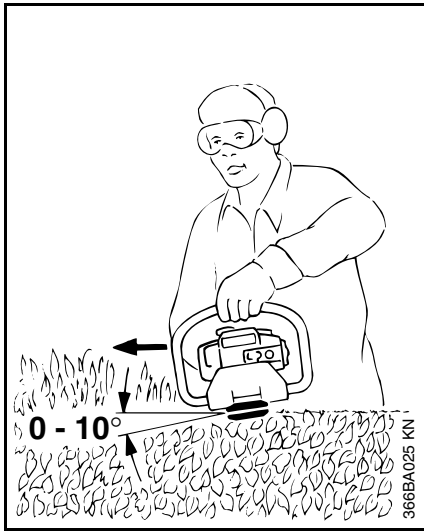
The cutter blades tend to run on for a short period after the throttle trigger is released (flywheel effect).



Cutting technique (HS 72, 74, 75, 80 only)

Vertical cut:

Swing the cutter blade up and down in an arc as you move along the hedge - use both sides of the cutter blade.



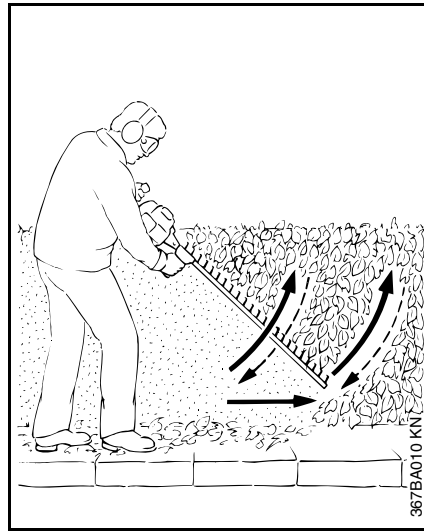
Horizontal cut:

Hold the cutter blade at an angle of 0° to 10° and guide the hedge trimmer horizontally.

Swing the blade in an arc towards the edge of the hedge so that the cuttings are swept off onto the ground.



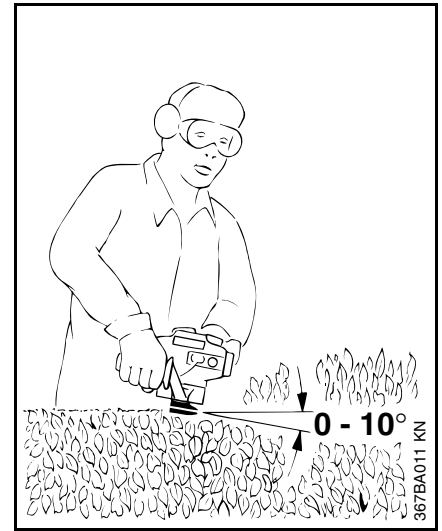
Do not throw cuttings in the rubbish bin (garbage can) - they can be composted!



Cutting technique (HS 76, 85 only)

Vertical cut:

To cut the sides of a hedge, swing the cutting blade from the bottom upward in an arc - lower the nose of the cutting blade, move along and then swing the cutting blade upward again.



Horizontal cut:

Hold the cutter blade at an angle of 0° to 10° and guide the hedge trimmer horizontally.

Swing the blade in an arc towards the edge of the hedge so that the cuttings are swept off onto the ground.



Do not throw cuttings in the rubbish bin (garbage can) - they can be composted!

Important adjustments



Warning!

To reduce the risk of personal injury from loss of control or contact with the running cutting blade, do not use a hedge trimmer with incorrect idle adjustment.

At correct idle speed, the cutting blade should not move. For directions to adjust idle speed, see the appropriate section of your owner's manual.

If you cannot set the correct idle speed, have your STIHL dealer check your hedge trimmer and make proper adjustments or repairs.

MAINTENANCE, REPAIR AND STORING

Maintenance, replacement, or repair of the emission control devices and systems may be performed by any nonroad engine repair establishment or individual. However if you claim warranty for a component which has not been serviced or maintained properly or if nonapproved replacement parts were used, STIHL may deny warranty.

Use only STIHL replacement parts for maintenance and repair. Use of parts manufactured by others may cause serious or fatal injury. Follow the maintenance and repair instructions in the appropriate section of your owner's manual.



Warning!

Always stop the engine and make sure that the cutting tool is stopped before doing any maintenance or repair work or cleaning the hedge trimmer. Do not attempt any maintenance or repair work not described in your owner's manual. Have such work performed at your STIHL service shop only.



Warning!

Never repair damaged cutting attachments by welding, straightening or modifying the shape. This may cause parts of the cutting tool to come off and result in serious or fatal injuries. Check condition of cutting tool at regular short intervals. If behavior of tool changes, check it immediately for tightness or any signs of cracks in particular. Replace damaged or dull cutting tools immediately, even if they have only superficial cracks.



Warning!

Never test the ignition system with ignition wire terminal removed from spark plug or with unseated spark plug, since uncontained sparking may cause a fire.



Warning!

To reduce the risk of fire and burn injury, use only spark plugs authorized by STIHL. Always press spark plug boot snugly onto spark plug terminal of the proper size. (Note: If terminal has detachable SAE adapter nut, it must be attached.) A loose connection between spark plug terminal and ignition wire

connector in the boot may create arcing that could ignite combustible fumes and cause a fire. Keep spark plug clean, and make sure ignition lead is in good condition.



Warning

To reduce the risk of fire, check fuel filler cap for leaks at regular intervals.

Always clean dust and dirt off the machine after finishing work. Do not use a grease solvent for cleaning! An aerosol can of resin solvent (protective spray), Part No. 0782 420 1002, is available for spraying the cutter blades. This resin solvent protects the cutter blades and has anticorrosive properties. Spray the cutter blades before and after work. Then start and run the hedge trimmer briefly so that the resin solvent is evenly distributed over the blades. If the hedge itself is very dusty and dirty, spray the cutter blades more frequently. This greatly reduces blade friction and the damaging effects of sap and dust particles.



Warning!

Do not operate your hedge trimmer if the muffler is damaged, missing or modified. An improperly maintained muffler will increase the risk of fire and hearing loss. Never touch a hot muffler or burn will result. If your muffler was equipped with a spark-arresting screen to reduce the risk of fire (e.g. in the USA, Canada and Australia), never operate your hedge trimmer if the screen is missing or damaged. Remember that the risk of forest fires is greater in hot or dry weather. Keep the engine and muffler free from cuttings, chips, leaves, fibers and excess lubricant.



Warning!

In order to reduce the risk of fire, do not modify or remove any part of the muffler or spark arrestor.

Check fuel filler cap for leaks at regular intervals.

Keep cutting tool sharp. Tighten all nuts, bolts and screws except the carburetor adjustment screws after each use.

Keep spark plug and wire connection tight and clean. The spark plug electrode gap should be checked with a feeler gauge at least every 50 operating hours and reset if necessary. Fit a new spark plug if the electrodes are badly pitted.

Never test the ignition system with ignition wire terminal removed from spark plug or with unseated spark plug, since uncontained sparking may cause a fire.

Additionally, the daily maintenance schedule for hedge trimmer set forth in your STIHL Owner's Manual should be strictly followed.

Store hedge trimmer in a dry, high or locked location out of reach of children. Before storing for longer than a few days, always empty the fuel tank.

Maintenance Chart

Please note: Different models may have different parts and controls.		before starting work	after finishing work or daily	after each refueling stop	weekly	monthly	if faulty	if damaged	as required
Complete machine	Visual inspection (condition leaks)	x		x					
	Clean		x						
Control handle	Check operation	x		x					
Air filter	Clean						x		
	Replace							x	
Filter in fuel tank	Check						x		
	Replace felt and strainer								x
Fuel tank	Clean					x			
Carburetor	Check idle setting	x		x					
	Readjust idle								x
Spark plug	Readjust electrode gap						x		
Cylinder fins	Clean				x				
Spark arresting screen in muffler	Inspect						x		
	Clean or replace								x
All accessible screws and nuts (not adjusting screws)	Check tightness								x

 **WARNING!**

The engine exhaust from this product contains chemicals known to the State of California to cause cancer, birth defects or other reproductive harm.

0457 189 3021

englisch / English USA